
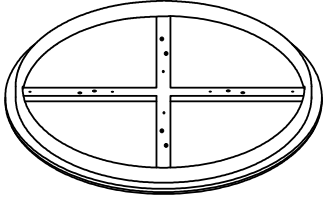
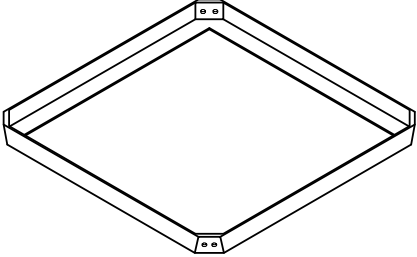

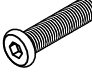


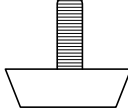


# H-D™ BAR & SHIELD WOOD TABLE ASSEMBLY INSTRUCTIONS

Thank You for your purchase of a Harley-Davidson® Wood Table. The utmost care has gone into the design & manufacturing of this product.

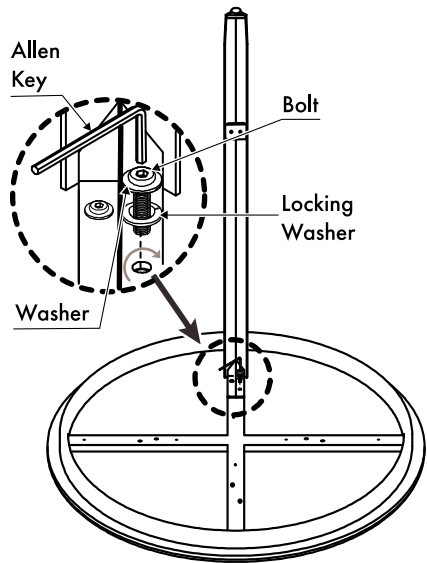


HARLEY, HARLEY-DAVIDSON and the Bar & Shield Design are among the trademarks of H-D U.S.A., LLC ©2017 H-D and its Affiliates. All Rights Reserved. Ace Product Management Group, Inc. is a licensee of Harley-Davidson Motor Company.

PARTS LIST							
 4 Legs	 1 Table Top	 1 Footrest	 1 Allen Key	 16 Bolts	 16 Washers	 16 Locking Washers	 4 Adjustable Feet

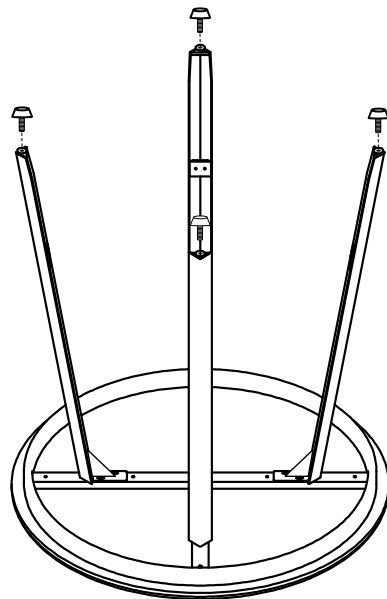
## Warranty:

Free replacement of any part that fails within 90 days from date of purchase, excluding shipping costs. Void if damaged by misuse, accidents, alterations, failure to follow instructions, fire, flood, and acts of God.

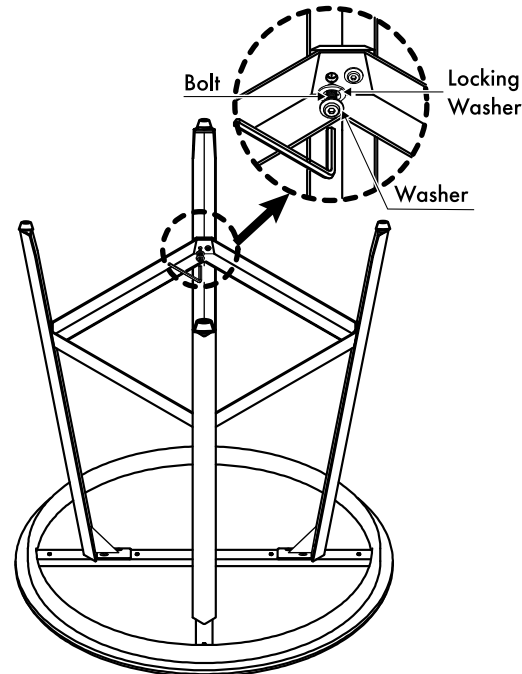


Attach legs loosely to tabletop using the Allen Key.

Note: Tighten ALL bolts after footrest is attached.



Screw in adjustable feet.



Attach footrest to legs. Loosely screw in one of the bolts to each leg. Repeat with second bolt and tighten All bolts.



Check security of bolts. Adjust feet and enjoy!

Ace Product Management Group, Inc. Milwaukee, WI U.S.A.