



# Ag-Zone™ 4

## Automatic Four Zone Keypad

- Enhance the Capabilities of TEC-10, MPC-10, MPC-20-R2, ML1000 and ML2000-R2 Controllers

- Easily Switch Parameters for Four Different Crops

- SAE J1939 Compliant



- User Friendly Design

- Change a Group of Set-Points with the Push of a Button

- Simple, Icon-Based Interface to Simplify your Ag Irrigation Operations

You really can't get much simpler than this. An easy button for engine control. A few years back, MurCal pioneered the easy-to-use "123" box for EMS controller models. Now, the Ag-Zone 4 gives the same capabilities to the full line of Murphy PowerCore® engine control panels, including the TEC-10, ML1000 and ML2000-R2 models, with a simple firmware update by MurCal. Harnessing is required for use with the stand-alone MPC-10 and MPC-20-R2 engine controllers.

You simply locate this small keypad within seven (7') feet of your PowerCore® engine control panel. Plug it in and configure your operating parameters for each different type of crop in the four zones. Select the crop to water by pushing its associated button. The controller will maintain the appropriate discharge pressure and run the preset amount of time.

- Custom configuration included which allows compatibility with the PowerCore® TEC-10, MPC-10, MPC-20-R2, ML1000 and ML2000-R2, or later.
- Adapts easily to different crop types and their specific watering requirements.
- Ability to customize icons (minimum quantities and NRE).
- Colored ring illumination may be easily programmed.
- Current & updated controller configuration is included.
- Pre-set your Ag-Zone 4 to meet weather-related or seasonal needs.
- Weather sealed keypad with backlit keys. IP67 and NEMA 6.



## Standard Features

- Relegendable buttons
- LED backlit icons
- Multicolor LED backlit indicator rings

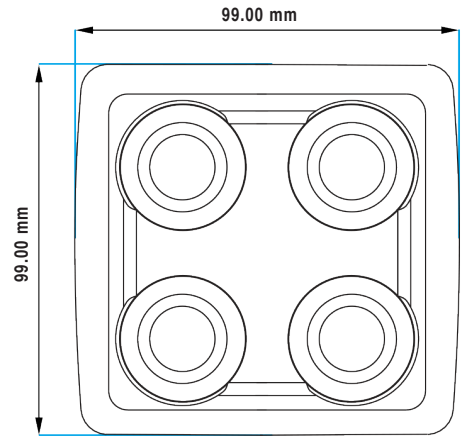


## Software Features

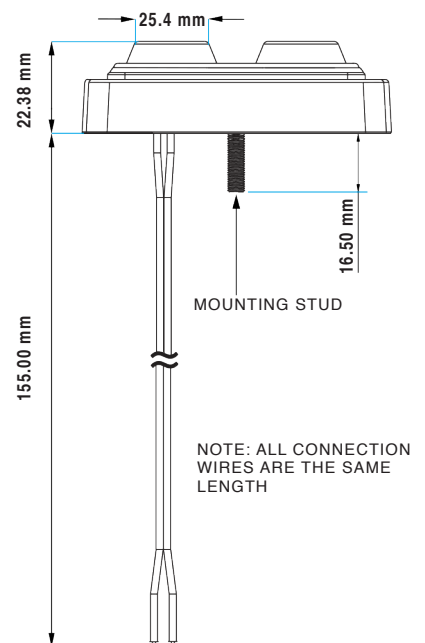
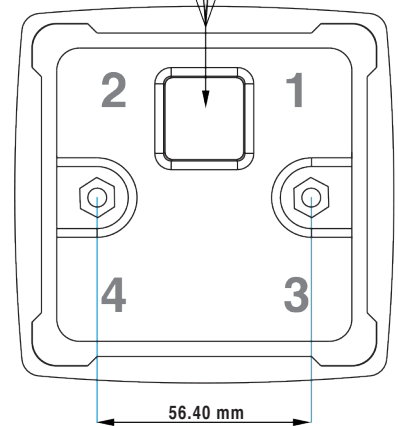
- LED acknowledgement
- SAE J1939 Compliant

## Keypad Size

- Only 4" square (3.9 in./99.0 mm)
- Less than 1" thick (.88 in./22.4 mm)
- Large numbered buttons are 1" (25.4 mm) in diameter



BLACK = GROUND  
RED = POWER  
WHITE = CAN HIGH  
BLUE = CAN LOW



## ELECTRICAL SPECIFICATIONS:

**Supply Voltage:** 12-24Vdc Nominal (8-32VDC)

**Standby Current:** <50 mA

**Communication BUS:** SAE J1939

## MECHANICAL SPECIFICATIONS:

**Connector:** Deutsch DT04-4P

**Switch Life:** 3 million operations

**Mechanical Shock:** X, Y, Z 50Gs 11ms

**Vibration:** X,Y, Z 10 - 150Hz 0.15mm amp

**Mounting Studs:** #10-32 CDA-510 phosphor bronze, electroplated bright tin

**Keypad:** Silicone rubber with polyurethane hardcoat

**PC Board:** 1.6mm thick, Nema Grade FR-4, double clad with 1oz copper

**Operating Temperature:** -40°C to +85°C

**Storage Temperature:** -40°C to +85°C

**Thermal Shock:** -40°C to +72°C @ 4°C/Min

**Humidity:** 0 to 98% (no condensation)

**UV Protection:** UVB 400 hours

**Salt Spray:** Per ASTM B117

**Chemical Resistance:** Deet, Engine Cleaner, Isopropyl Alcohol, Suntan Lotion, Multi-Purpose Cleaner, Orange Citrus Cleaner, Muriatic Acid

**Ingress Protection Rating:** IP67/NEMA6

## HOW TO ORDER:

AgZone4 4-Button Keypad (6518014)

AgZone4 Power/CAN Adapter Harness (6519015)

MurCal Inc.  
41343 12th Street West  
Palmdale, CA 93551  
www.murcal.com



One call, problem solved.

Phone: 661-272-4700

Fax: 661-272-4700

sales@murcal.com