



PowerView® PV700 Display

with SmartCommand™

FEATURES :

- Configurable gauges - choose among 49 parameters
- Tier 4 Final / Interim engine support built in
- Multiple engine manufacturers supported
- J1939 to NMEA2000 gateway for marine applications
- Configurable CANport - change baud rate (250k / 500K)
- Compatible with mechanical and electronic engines
- High visibility UI design
- Single engine display



PLUG and PLAY SOLUTION

Combining a Powerful Display with a Smart Interface

MurCal's PV700-MC Display with SmartCommand™ provides a simple and robust software solution for display and monitoring of industrial, on-high-way and marine engines.

By combining Enovation's PowerView® 700 display with our proprietary SmartCommand™ software configuration package, you have the ability to customize the critical information needed to accurately monitor your engine's performance straight out-of-the-box.

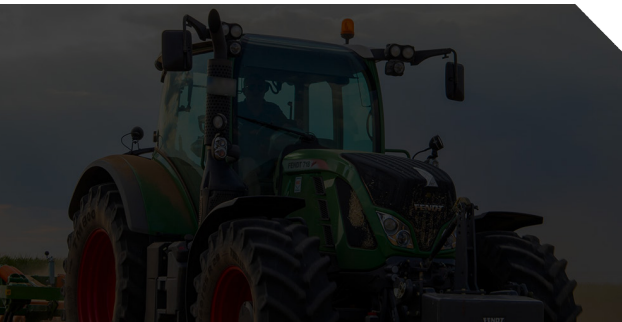
Feedback was gathered from our clients regarding the struggles they've faced integrating PowerView® displays with their engine control projects. Our response was to create a product centered around these 4 key points:

- a software solution that is affordable and easy to understand
- a smart design that offers simple, yet flexible, configuration options
- a way to avoid customized programming that can be costly and difficult to comprehend
- a helpful, easy to use Set-Up Wizard that walks you through a series of configuration screens to connect your engine to your new control display in minutes

SmartCommand™ effortlessly connects an affordable, configurable control solution to your engine control project.

MurCal's PV700-MC Display with SmartCommand™ is the most powerful and affordable solution for the customization of the Enovation PowerView® 700 display available on the market today.

An interface design, paired with a full-color display, that utilizes thoughtful screen layouts and eye-catching color schemes to clearly organize engine information and make errors or warnings visible during operation. Simply unpack the box, mount, connect, configure, and enjoy!

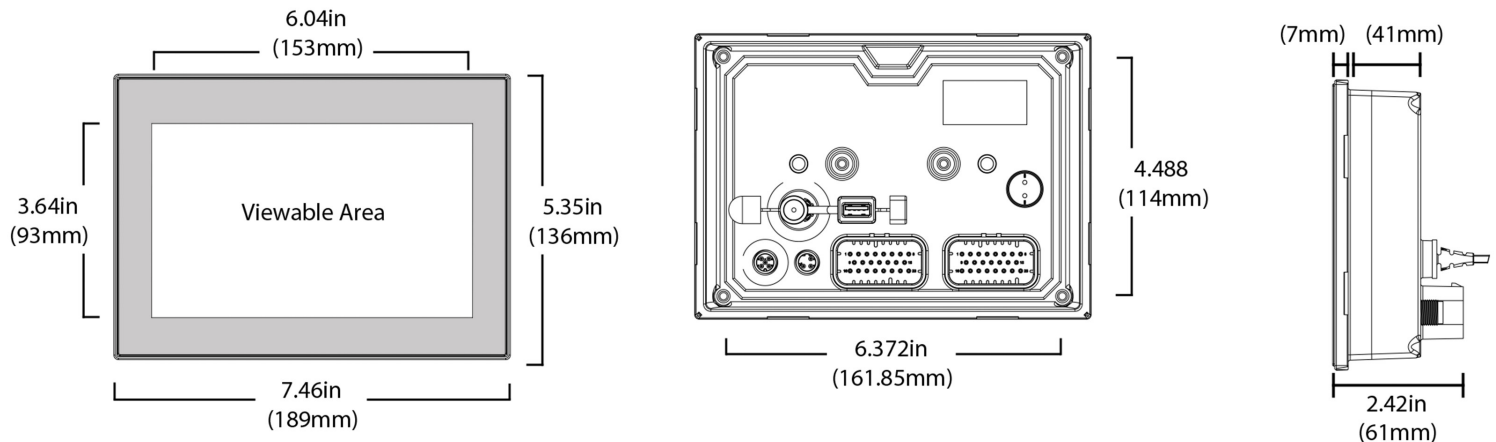


PV700-MC DISPLAY

CONFIGURABLE INSTRUMENTATION PACKAGE



DIMENSIONS



PRODUCT SPECIFICATIONS

SPECIFICATIONS AND DESIGNS ARE SUBJECT TO CHANGE WITHOUT NOTICE.

COMPUTING

PROCESSOR	Renesas® R-Car M2 with Arm® Cortex® - A15 dual-core processor @ 1.5 GHz (32-bit)
STORAGE	8 GB flash memory
RAM	512 MB DDR3-SDRAM

DISPLAY

SCREEN SIZE	7-inch (178 mm)
TYPE	LVDS TFT LCD with LED backlight, 24-bit color
RESOLUTION	800 x 480 (WVGA)
CONTRAST RATIO	Typ. 600:1
BRIGHTNESS	1000 cd/m ²
SURFACE	Anti-glare
TOUCH PANEL	Projected capacitive (PCAP) with glove touch

HARDWARE

REAL TIME CLOCK	Li-ion battery backup (typical lifespan 10 years), non-rechargeable, non-replaceable
CONNECTORS	(2) AMPSEAL 23 pin (1) M12 5 pin [Ethernet] (1) M12 3 pin (unused) (1) USB pigtail
VIDEO INPUTS	(4) NTSC/PAL (dual-channel viewable)

COMMUNICATION

CAN	(2) CAN 2.0B according to ISO-11898-2; J1939 and proprietary messaging
USB	USB 2.0 full speed host
ETHERNET	1 X Ethernet 10/100 Base-T

ELECTRICAL

OPERATING VOLTAGE	6 - 36 VDC, reverse polarity protected Current draw: 12V Max: 1.073A Current draw: 12V Min: 0.762A Current draw: 24V Max: 0.661A Current draw: 24V Min: 0.495A
INPUTS	(3) Analog 0 - 5 VDC, 4-20 mA, resistive, 10-bit resolution (5) Discreet digital, active-high (1) Frequency in (2Hz - 10kHz) 5V pk-pk min, 120V pk-pk max
OUTPUTS	(1) 500 mA switched low-side (1) Frequency output (2Hz - 3kHz)

ENVIRONMENTAL

OPERATING TEMP.	-40°C to +85°C (-40°F to +185°F)
STORAGE TEMP.	-40°C to +85°C (-40°F to +185°F)
PROTECTION	IP66 and IP69K, front and back, for outdoor use
VIBRATION	7.86 Grms (5 - 2000Hz), 3 axes
SHOCK	+/- 50G in 3 axes
EMC / EMI	SAE J1113, ISO 7637-2, ISO 11452, ISO 13766, ISO 16750-2, CISPR 25, EN 13309, CE Mark per 2014/30/EU (EN 61326-1 & EN 60945)

WARNING: This product can expose you to chemicals including lead, which is known to the State of California to cause cancer. For more information, go to www.P65Warnings.ca.gov.

HOW TO ORDER

OPERATING SYSTEM QNX® Realtime Operating System

78-19-048 PV700-MC: MurCal Standard PV700 Display with SmartCommand™ Software
78051451 PV700 Mounting Kit

41343 12th Street West
Palmdale, CA 93551
661-272-4700



www.murcal.com
sales@murcal.com