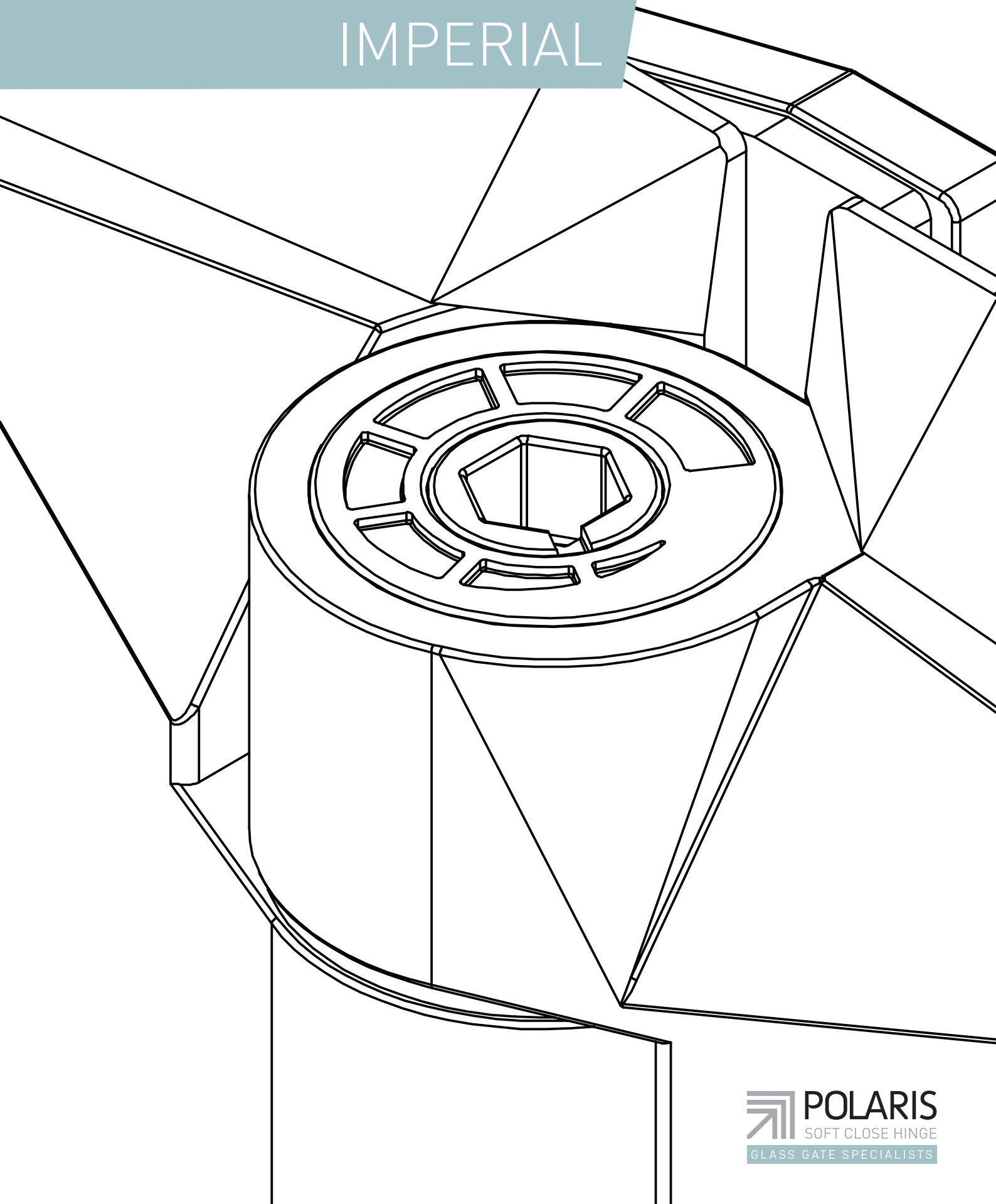


POLARIS SOFT CLOSE HINGE

Product Guide

IMPERIAL



INTRODUCING POLARIS SOFT CLOSE HINGE STATE-OF-THE-ART SELF-CLOSING HINGE FOR FRAMELESS GLASS

The Polaris Soft Close Hinge developed by Glass Hardware Australia is a unique self-closing hinge for use in all outdoor and indoor frameless glass applications. It was designed to meet the tough requirements of frameless glass pool fencing in Australia so can be used in all applications where glass doors or gates are needed. The Polaris Soft Close Hinge is designed to be resistant to chemicals, to operate in a wet environment and to withstand constant outdoor use and the harsh Australian weather.

To be used as a glass pool fence hinge meant it had to be durable, reliable and last for at least ten years. The sleek stainless steel construction makes it strong and durable but also makes it stylish and attractive. As an architectural feature it is minimalist and its design geometry is compatible with the toughened glass it supports.

The Polaris Soft Close Hinge uses a spring and shock absorbers to ensure gentle closing every time from any position, position, whether fully or only slightly open. The Polaris Soft Close Hinge closes with a soft and light action not only making it safe but also quiet in operation.

As a glass pool fence hinge it is the safest and most reliable hinge in the industry complying with the stringent Australian Standards AS1926 and AS 2820.

In 2010 & 2016 the Polaris Soft Close Hinge was awarded a prestigious Australian International Design Mark™ Award. Presented by Standards Australia, the Australian International Design Awards is Australia's premier design assessment program. Products were judged for their innovation, visual and emotional appeal, functionality, quality of manufacturing, usability & environmental sustainability.

Michael Stuart, the CEO of Glass Hardware Australia, is an industry insider with significant, first-hand experience of installation (and materials supply) and understands the needs of installers, customers and other major stakeholders in the industry. His passionate concern for the safety of glass pool fences has driven him to develop a soft close hinge that will not only meet Australia's safety standards for glass pool fences but is suitable for a range of indoor and outdoor applications.

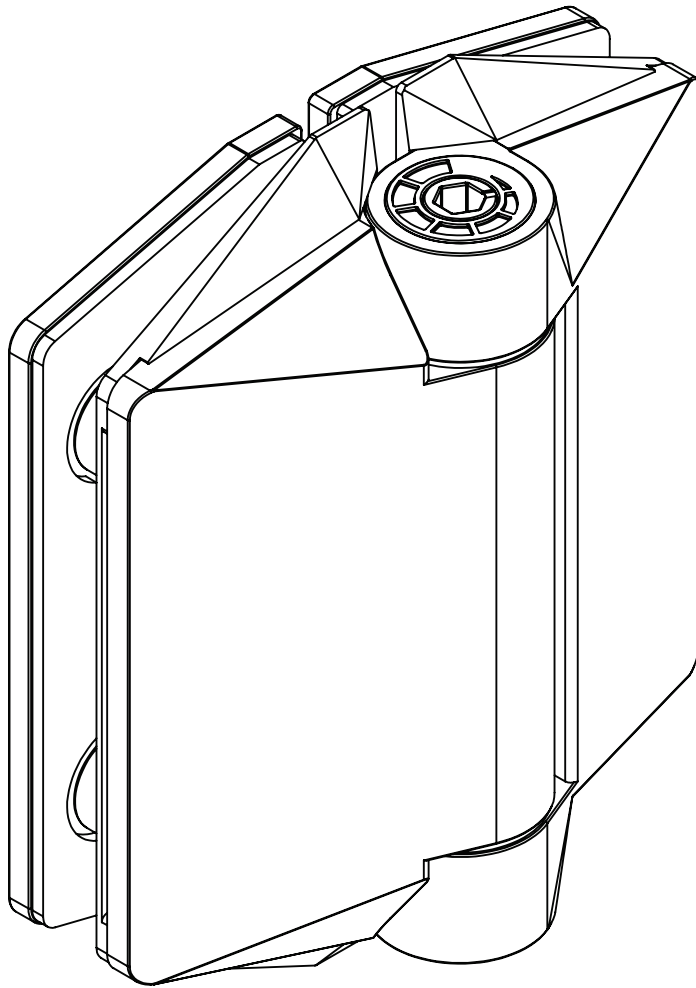
The Polaris Soft Close Hinge is a state-of-the-art product that is ahead of its rivals in design, style and safety.

CONTENTS

01	125 SERIES POOL HINGE	1-6
	Glass to Glass	Glass to Post Brackets
	Glass to Wall	
02	LATCHES - 600 SERIES	7-10
	Glass to Glass 180 degrees	Glass to Glass Reverse 90 degrees
	Glass to Wall/Post	
	Glass to Glass 90 degrees	
03	LATCHES - 700 SERIES - RETRO FIT	11-15
	Glass to Glass 180 degrees	Glass to Glass Reverse 90 degrees
	Glass to Wall/Post	Glass to Round Post
	Glass to Glass 90 degrees	
04	SIDE PULL LATCH	16
05	SPIGOTS	17-22
	Spigot - Core	
	Spigot - Base	
	Spigot Cover	
06	POLY HINGE - RETRO FIT	23-24
07	MISCELLANEOUS	25-28
	125 Hinge Glass to Glass cut out	
	125 Hinge Glass to Wall/Post cut out	
	Polaris Gate Latch Glass Holes - 600 series	
	Retrofit Gate latch Glass Holes - 700 series	

125 SERIES POOL HINGE

GLASS TO GLASS



125 SERIES POOL HINGE

- SELF-CLOSING SAFETY HINGE FOR GLASS POOL FENCING
- TO BE USED WITH CHILD PROOF SAFETY LATCH
- COMPLIES WITH AUSTRALIAN STANDARDS FOR POOL GATE HARDWARE
- NATA ACCREDITED AND INDEPENDENTLY TESTED TO 25 000 CYCLES (NATA = NATIONAL ASSOCIATION OF TESTING AUTHORITIES AUSTRALIA)

FINISHES AND FUNCTIONS

- 2205 GRADE STAINLESS STEEL
- 3 SURFACE FINISHES
- SIMPLE *QUIK-ADJUST* RATCHET SYSTEM
- SINGLE ACTION
- SOFT CLOSE
- NON-HOLD OPEN
- ANTI-FOOT-HOLD GASKET AND SAFETY CAP INCLUDED



3/8"
1/2"



MAX.
35" WIDE x
59" HIGH



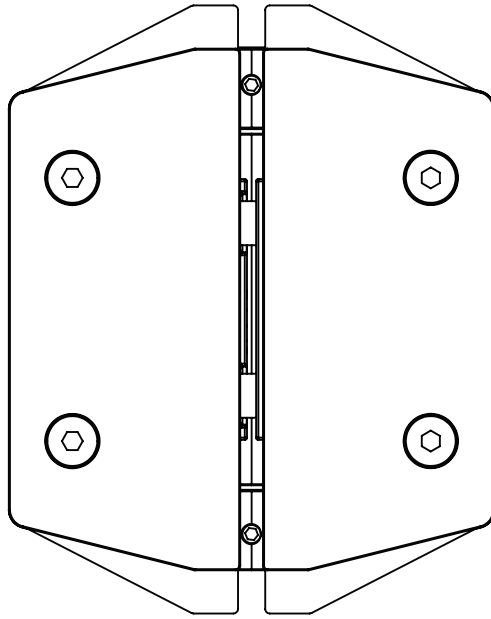
MAX 100 lbs



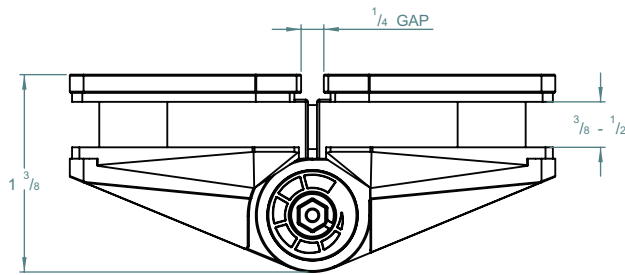
- 50° F
+ 122° F



90°



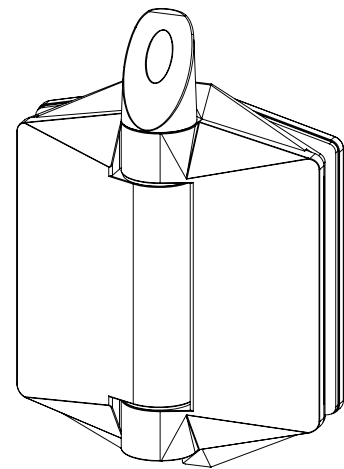
REAR VIEW



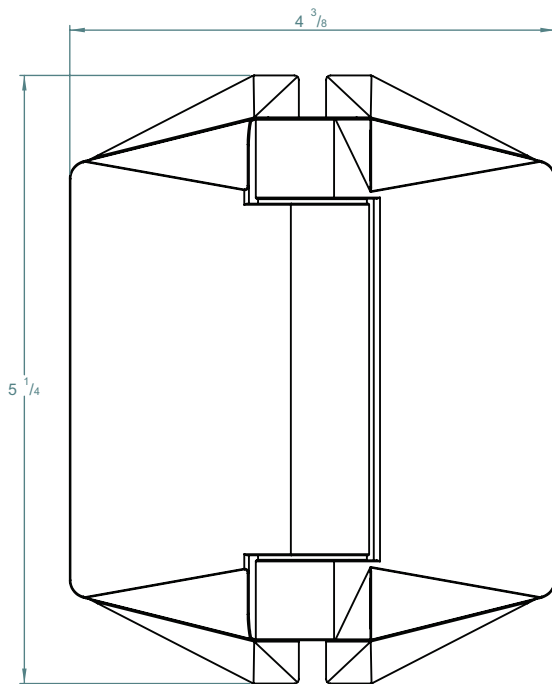
TOP VIEW

TO ORDER SPECIFY:

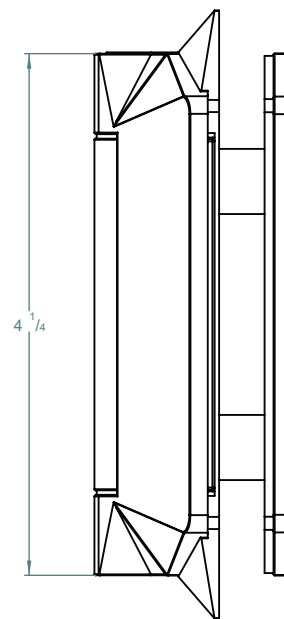
- 125GP POLISHED FINISH
- 125GS SATIN FINISH
- 125GB BLACK FINISH



INSTALLED SAFETY CAP



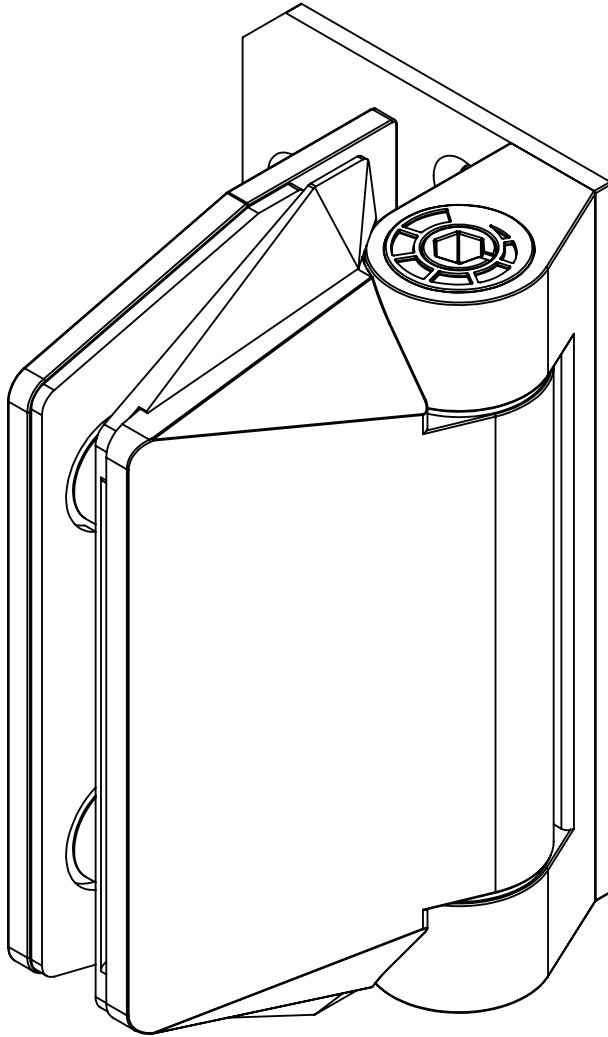
FRONT VIEW



SIDE VIEW

125 SERIES POOL HINGE

GLASS TO WALL



FINISHES AND FUNCTIONS

- 2205 GRADE STAINLESS STEEL
- 3 SURFACE FINISHES
- SIMPLE *QUIK-ADJUST* RATCHET SYSTEM
- SINGLE-ACTION
- SOFT CLOSE
- NON-HOLD OPEN
- ANTI-FOOT-HOLD GASKET AND SAFETY CAP INCLUDED



3/8"
1/2"



MAX.
35" WIDE x
59" HIGH



MAX 100 lbs



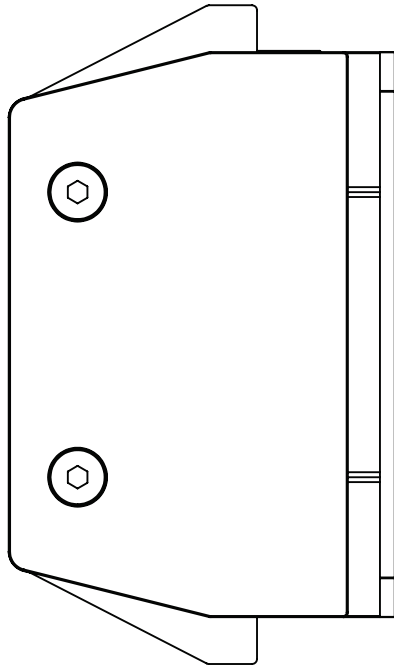
- 50°F
+ 122°F



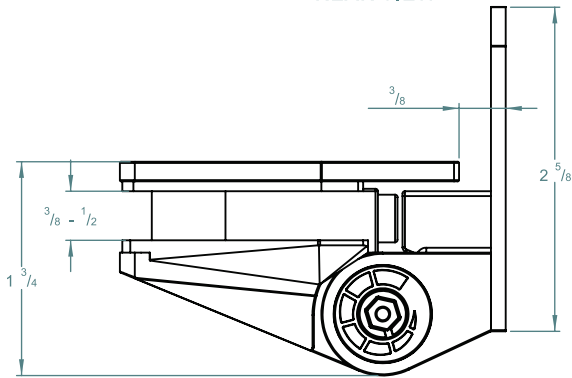
90°

125 SERIES POOL HINGE

- SELF-CLOSING SAFETY HINGE FOR GLASS POOL FENCING
- TO BE USED WITH CHILD PROOF SAFETY LATCH
- COMPLIES WITH AUSTRALIAN STANDARDS FOR POOL GATE HARDWARE
- NATA ACCREDITED AND INDEPENDENTLY TESTED TO 25 000 CYCLES (NATA = NATIONAL ASSOCIATION OF TESTING AUTHORITIES AUSTRALIA)



REAR VIEW

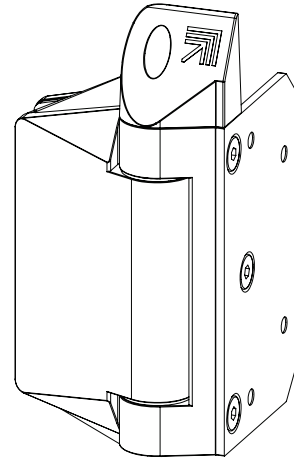


TOP VIEW

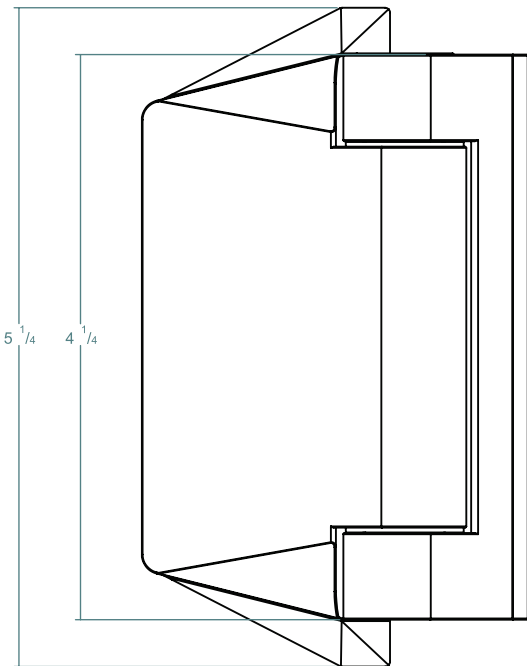
TO ORDER SPECIFY:

- 125WP POLISHED FINISH
- 125WS SATIN FINISH
- 125WB BLACK FINISH

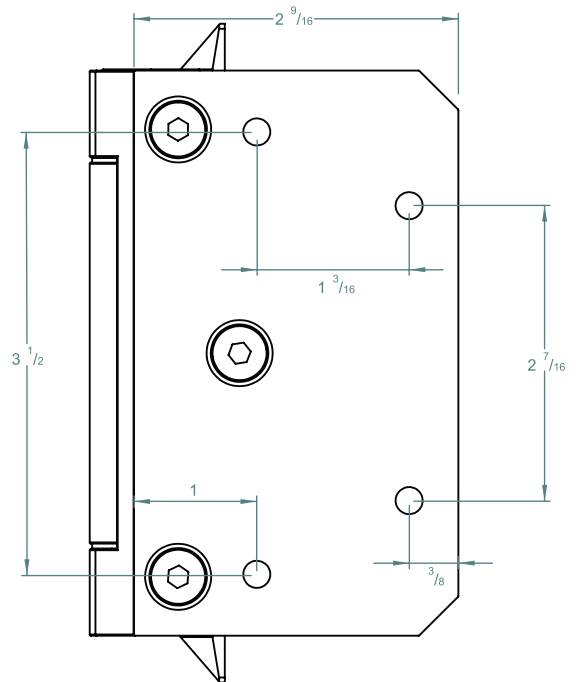
SQUARE OR ROUND
POST BRACKETS
AVAILABLE



INSTALLED SAFETY CAP



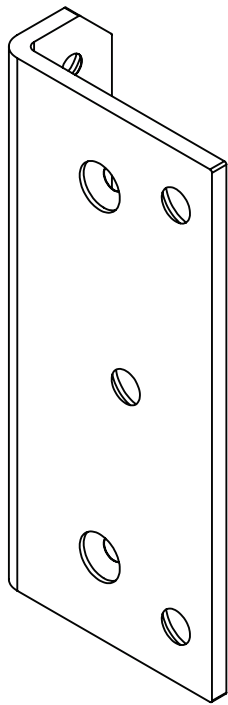
FRONT VIEW



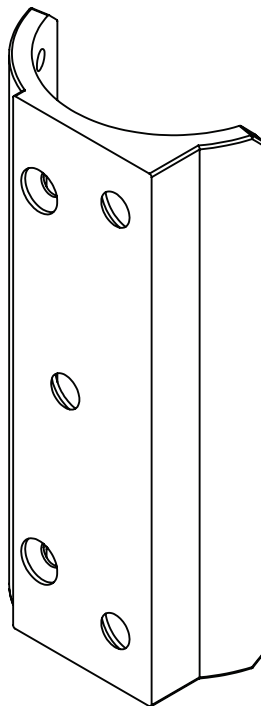
SIDE VIEW

125 SERIES POOL HINGE

GLASS TO POST BRACKETS



**SQUARE POST
BRACKET**
(MODEL SP)



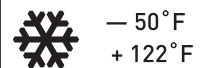
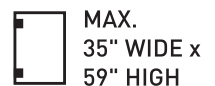
**ROUND POST
BRACKET**
(MODEL RP)

125 SERIES POOL HINGE

- SELF-CLOSING SAFETY HINGE FOR GLASS POOL FENCING
- TO BE USED WITH CHILD PROOF SAFETY LATCH
- COMPLIES WITH AUSTRALIAN STANDARDS FOR POOL GATE HARDWARE
- NATA ACCREDITED AND INDEPENDENTLY TESTED TO 25 000 CYCLES
(NATA = NATIONAL ASSOCIATION OF TESTING AUTHORITIES AUSTRALIA)

FINISHES AND FUNCTIONS

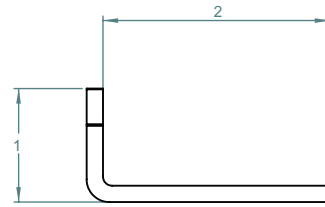
- 2205 GRADE STAINLESS STEEL
- POLISHED STAINLESS
- BRUSHED STAINLESS
- MATT BLACK
- DESIGNED TO FIT WITH 125 GLASS TO WALL HINGE (MODEL 125W)



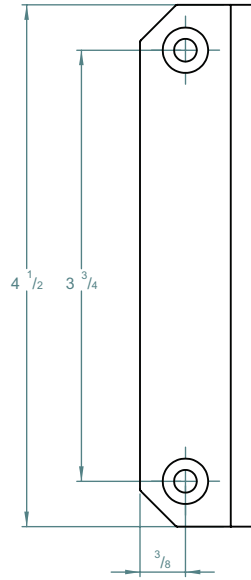
SQUARE POST BRACKET

TO ORDER SPECIFY:

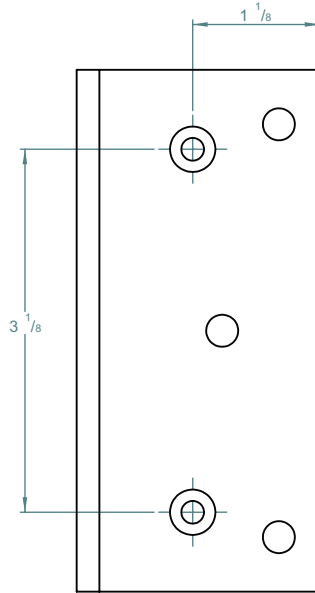
- **SPP** POLISHED FINISH
- **SPS** SATIN FINISH
- **SPB** BLACK FINISH



TOP VIEW



FRONT VIEW

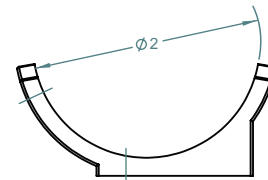


SIDE VIEW

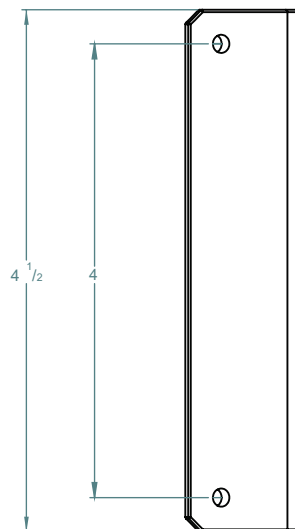
ROUND POST BRACKET

TO ORDER SPECIFY:

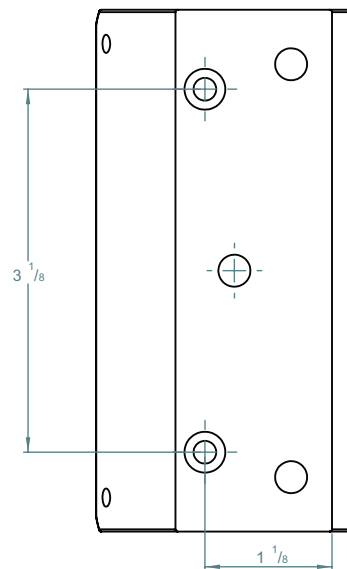
- **RPP** POLISHED FINISH
- **RPS** SATIN FINISH
- **RPB** BLACK FINISH



TOP VIEW



FRONT VIEW

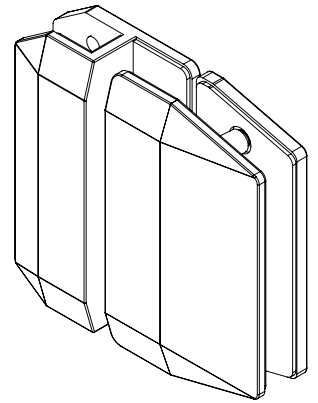
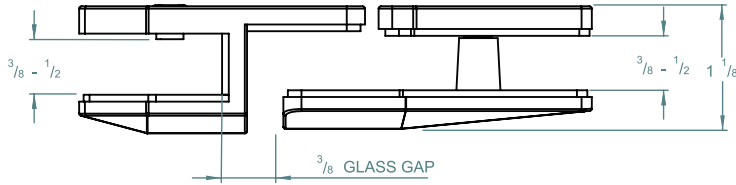


SIDE VIEW

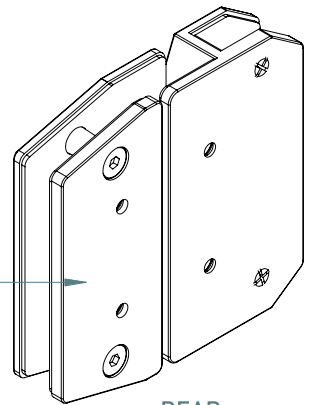
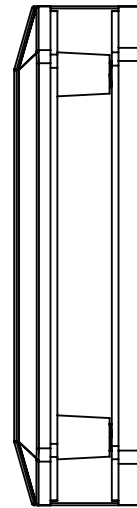
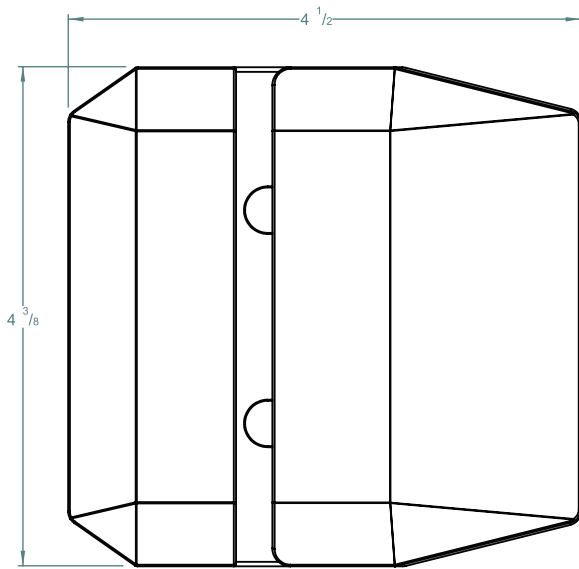
LATCH GLASS TO GLASS 180°

TO ORDER SPECIFY:

POLYMER SIDE PULL INC.
600GP POLISHED FINISH
600GS SATIN FINISH
600GB BLACK FINISH

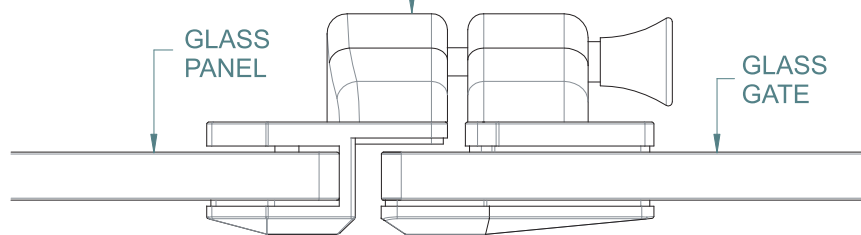
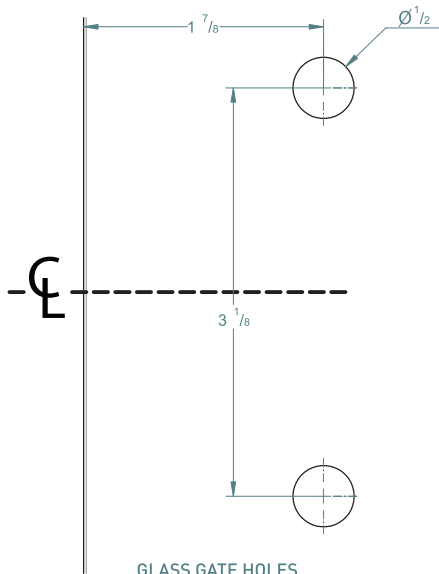


FRONT ISOMETRIC VIEW



REAR ISOMETRIC VIEW

FITS SIDE PULLS:
 * POLARIS 2205 S/S
 * NATIONWIDE INDUSTRIES
 * DOWNEE
 * D&D TECHNOLOGIES

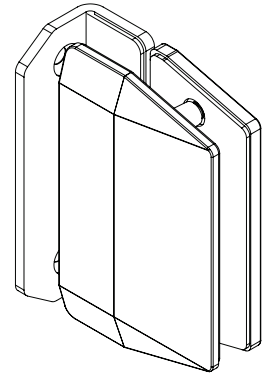
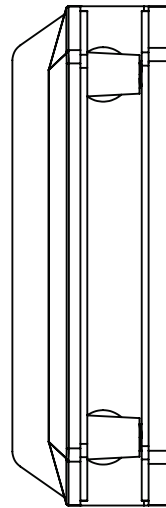
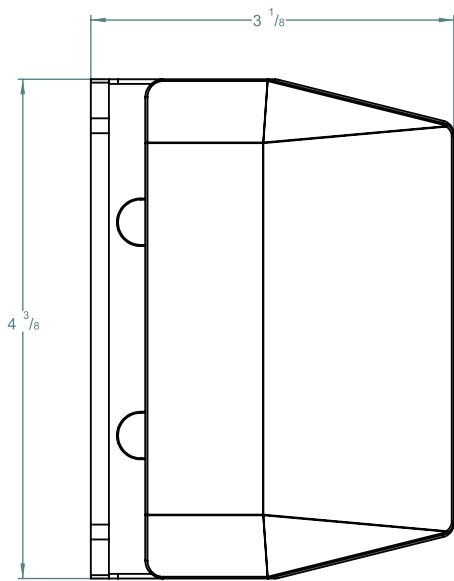
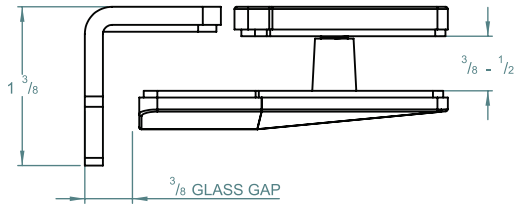


TOP VIEW

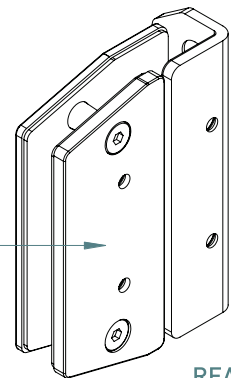
LATCH GLASS TO WALL

TO ORDER SPECIFY:

POLYMER SIDE PULL INC.
600WP POLISHED FINISH
600WS SATIN FINISH
600WB BLACK FINISH

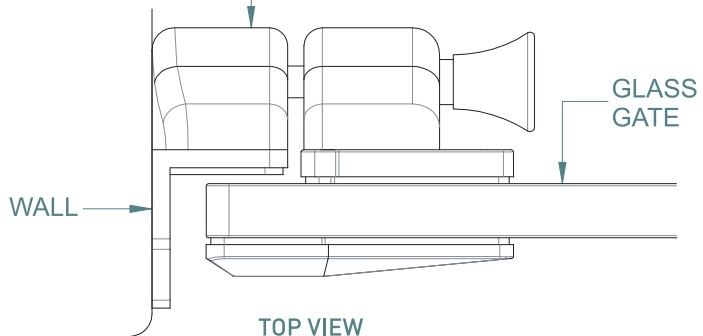
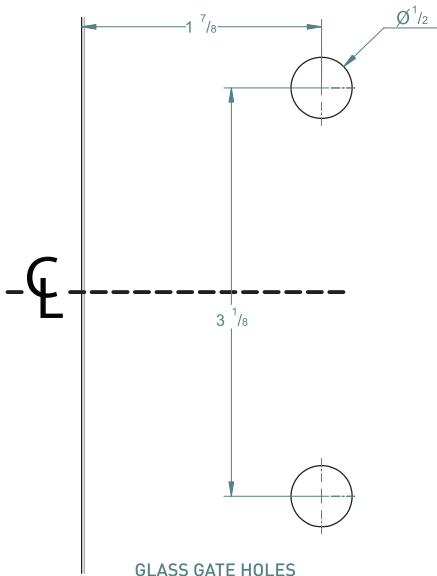


FRONT ISOMETRIC VIEW



REAR ISOMETRIC VIEW

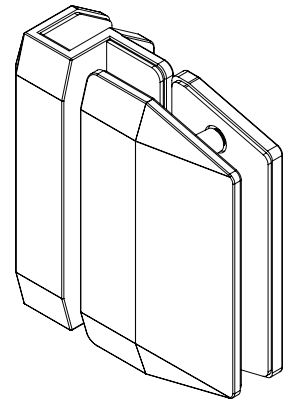
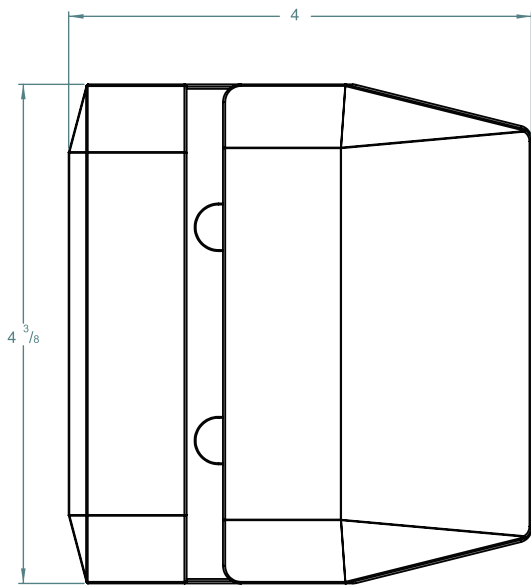
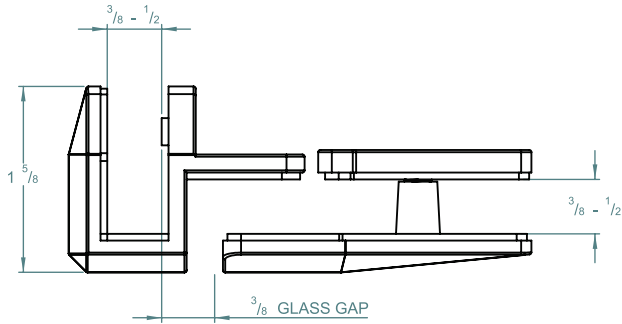
FITS SIDE PULLS:
 * POLARIS 2205 S/S
 * NATIONWIDE INDUSTRIES
 * DOWNEE
 * D&D TECHNOLOGIES



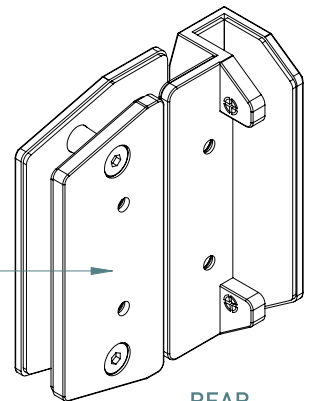
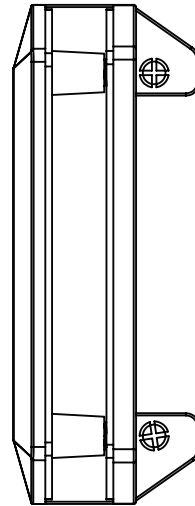
LATCH GLASS TO GLASS 90°

TO ORDER SPECIFY:

POLYMER SIDE PULL INC.
600G90P POLISHED FINISH
600G90S SATIN FINISH
600G90B BLACK FINISH

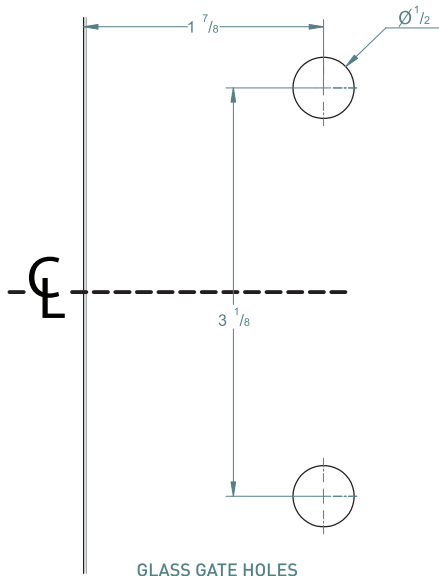


FRONT ISOMETRIC VIEW

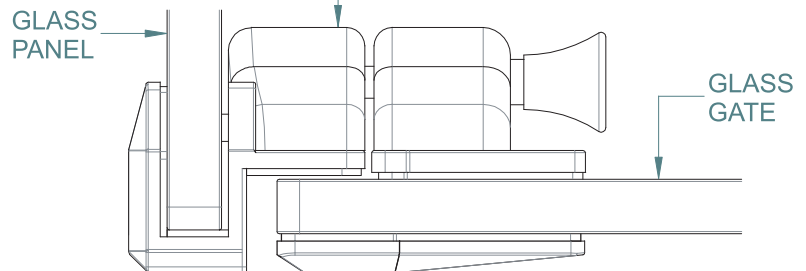


REAR ISOMETRIC VIEW

FITS SIDE PULLS:
 * POLARIS 2205 S/S
 * NATIONWIDE INDUSTRIES
 * DOWNEE
 * D&D TECHNOLOGIES



GLASS GATE HOLES

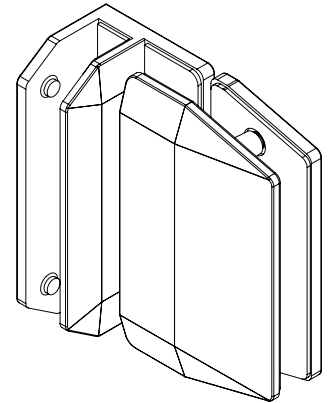
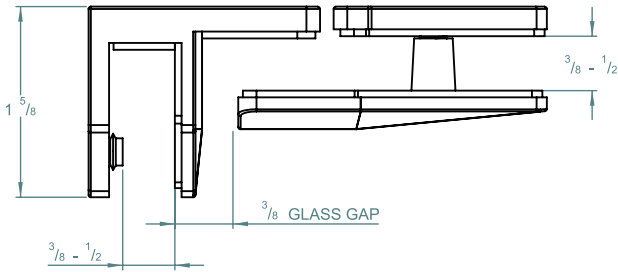


TOP VIEW

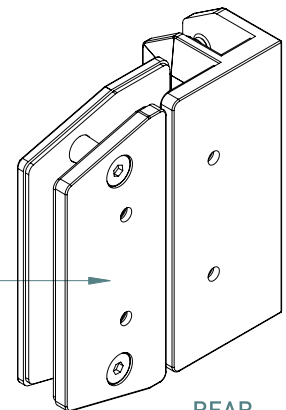
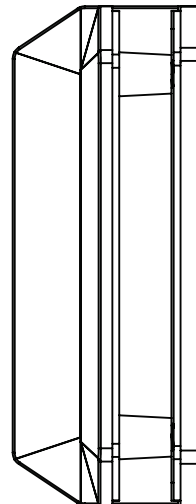
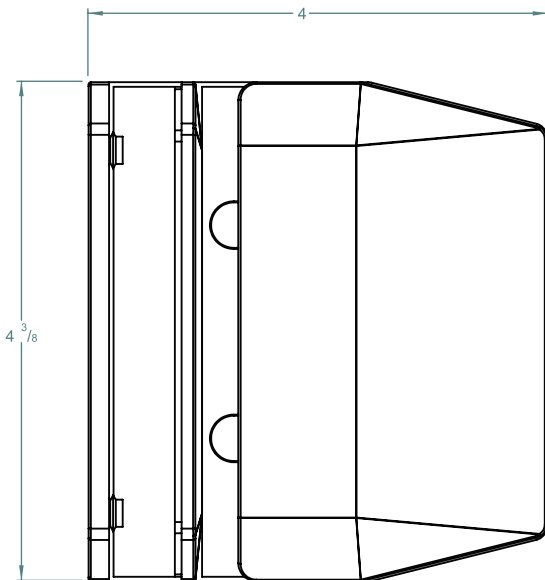
LATCH GLASS TO GLASS REVERSE 90°

TO ORDER SPECIFY:

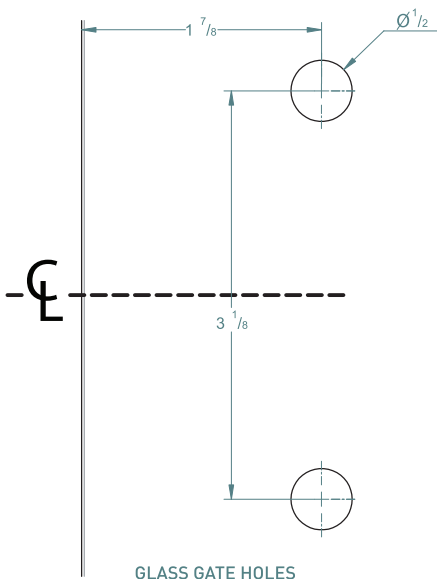
POLYMER SIDE PULL INC.
600G90RP POLISHED FINISH
600G90RS SATIN FINISH
600G90RB BLACK FINISH



FRONT
ISOMETRIC VIEW

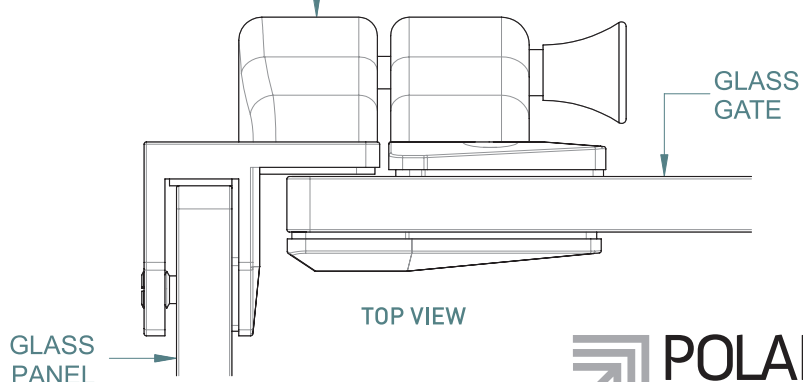


REAR
ISOMETRIC VIEW



GLASS GATE HOLES

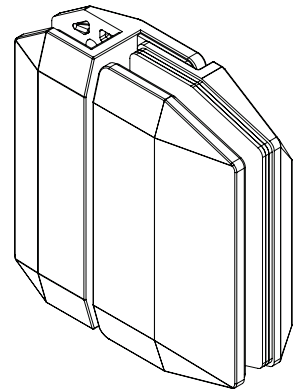
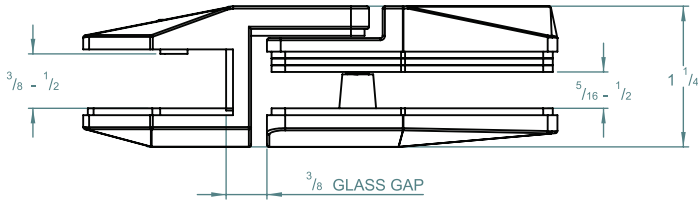
FITS SIDE PULLS:
 * POLARIS 2205 S/S
 * NATIONWIDE INDUSTRIES
 * DOWNEE
 * D&D TECHNOLOGIES



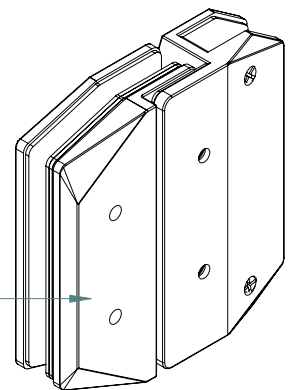
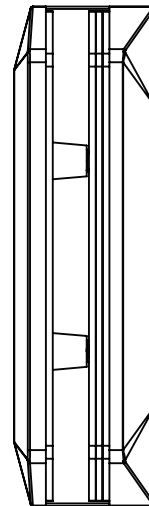
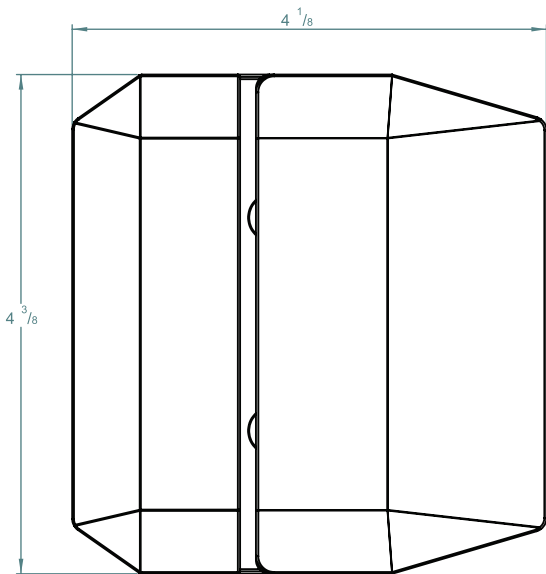
RETROFIT LATCH GLASS TO GLASS 180°

TO ORDER SPECIFY:

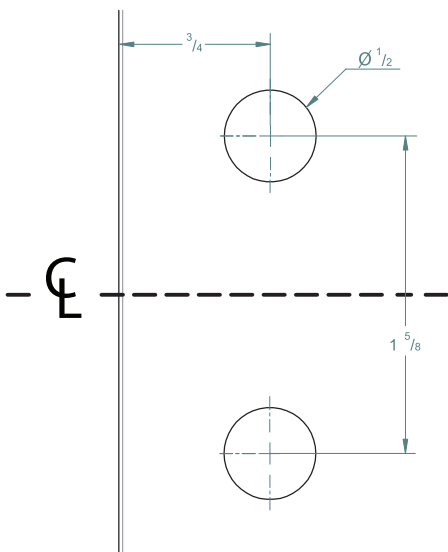
POLYMER SIDE PULL INC.
700GP POLISHED FINISH
700GS SATIN FINISH
700GB BLACK FINISH



FRONT
ISOMETRIC VIEW

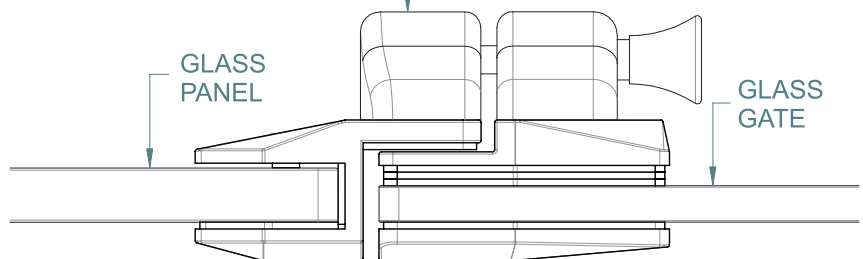


REAR
ISOMETRIC VIEW



GLASS GATE HOLES

FITS SIDE PULLS:
 * POLARIS 2205 S/S
 * NATIONWIDE INDUSTRIES
 * DOWNEE
 * D&D TECHNOLOGIES

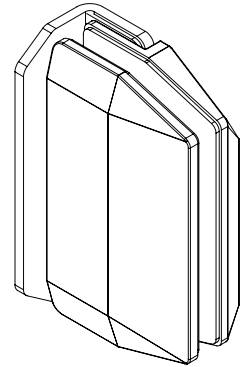
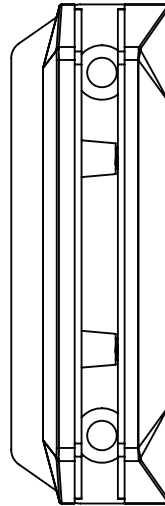
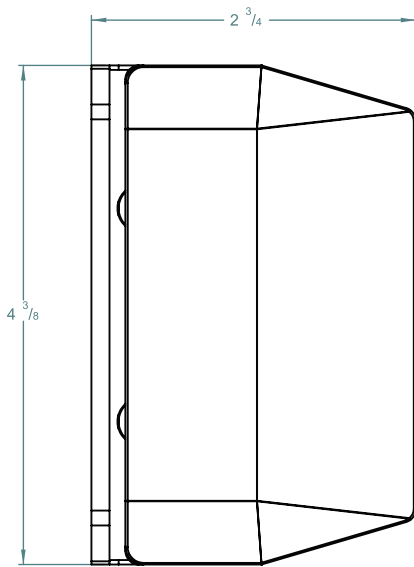
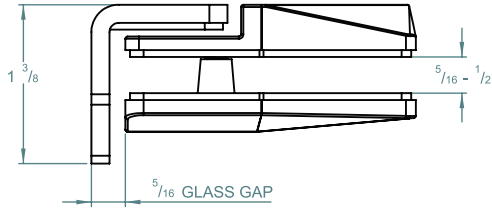


TOP VIEW

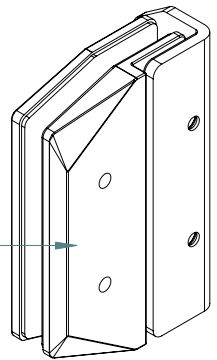
RETROFIT LATCH GLASS TO WALL

TO ORDER SPECIFY:

POLYMER SIDE PULL INC.
700WP POLISHED FINISH
700WS SATIN FINISH
700WB BLACK FINISH

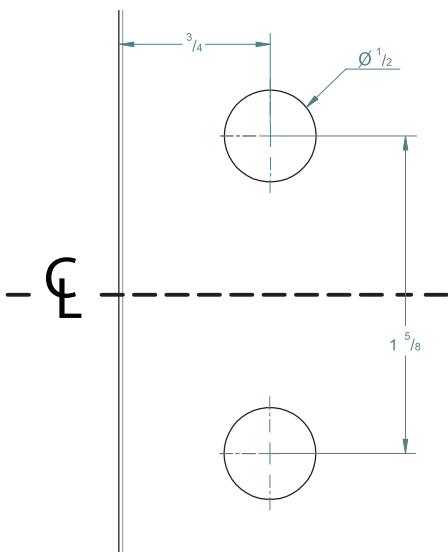


FRONT
ISOMETRIC VIEW

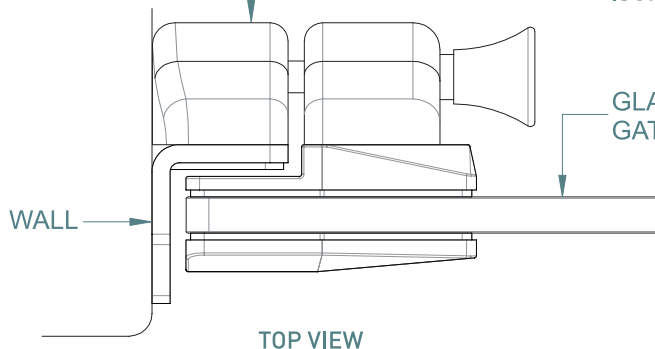


REAR
ISOMETRIC VIEW

FITS SIDE PULLS:
 * POLARIS 2205 S/S
 * NATIONWIDE INDUSTRIES
 * DOWNEE
 * D&D TECHNOLOGIES



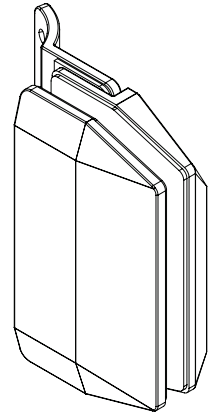
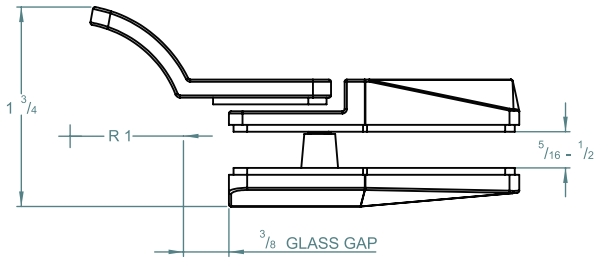
GLASS GATE HOLES



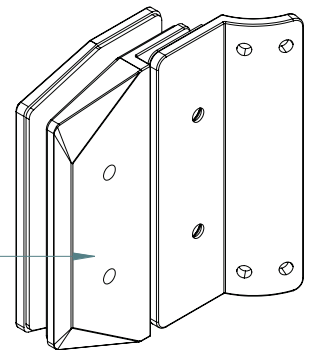
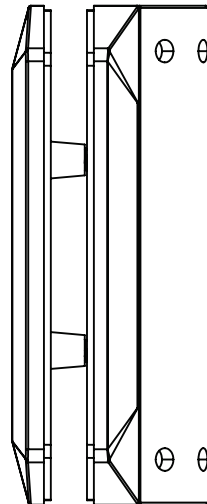
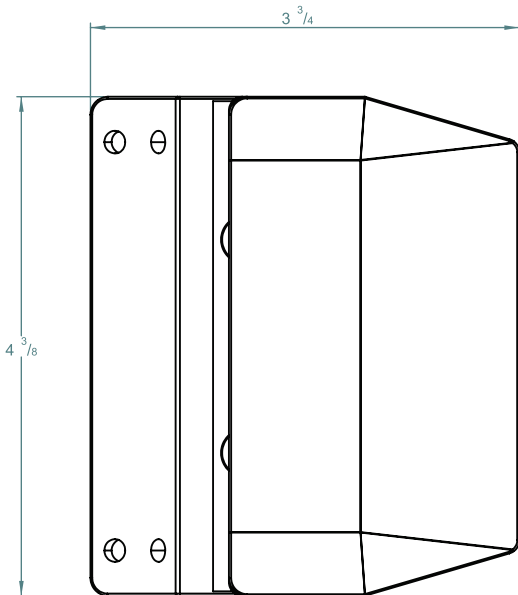
RETROFIT LATCH GLASS TO ROUND POST

TO ORDER SPECIFY:

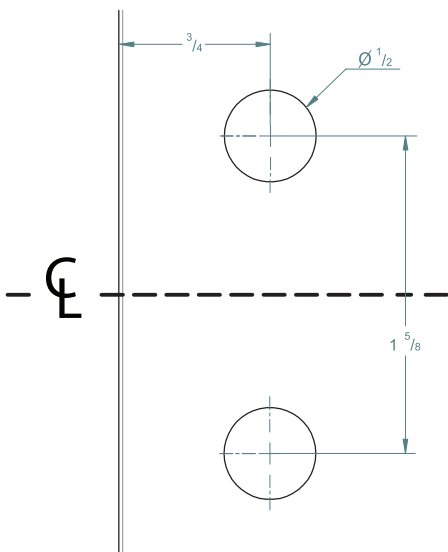
POLYMER SIDE PULL INC.
700RP POLISHED FINISH
700RS SATIN FINISH
700RB BLACK FINISH



FRONT
ISOMETRIC VIEW

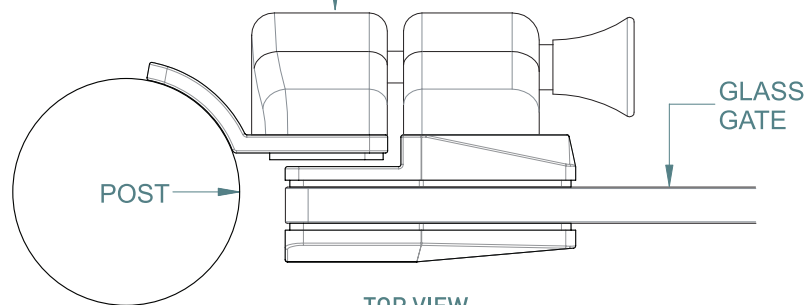


REAR
ISOMETRIC VIEW



GLASS GATE HOLES

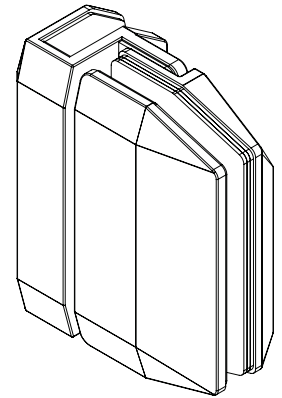
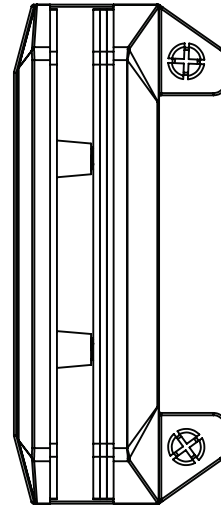
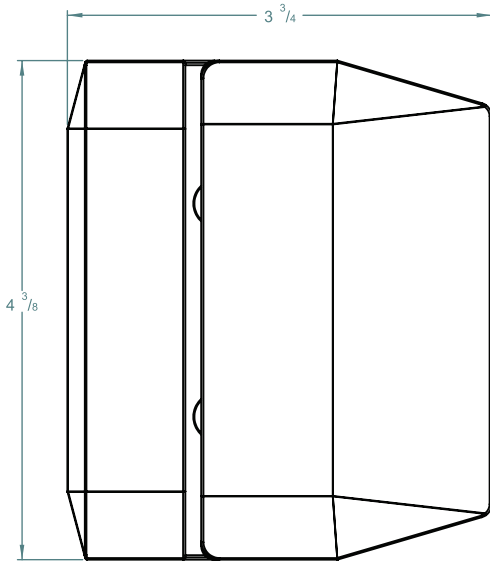
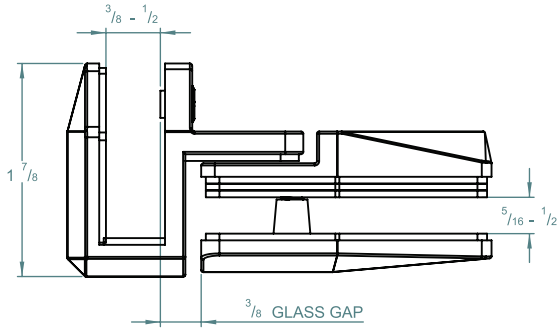
FITS SIDE PULLS:
 * POLARIS 2205 S/S
 * NATIONWIDE INDUSTRIES
 * DOWNEE
 * D&D TECHNOLOGIES



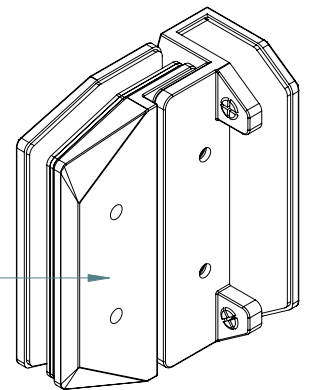
RETROFIT LATCH GLASS TO GLASS 90°

TO ORDER SPECIFY:

POLYMER SIDE PULL INC.
700G90P POLISHED FINISH
700G90S SATIN FINISH
700G90B BLACK FINISH

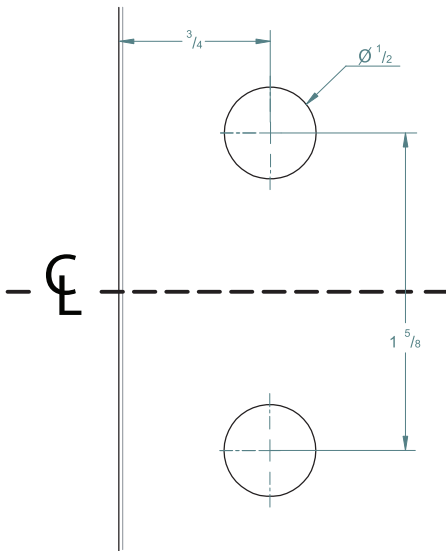


FRONT ISOMETRIC VIEW

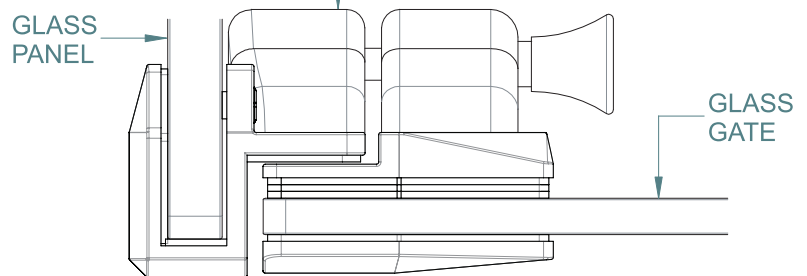


REAR ISOMETRIC VIEW

FITS SIDE PULLS:
 * POLARIS 2205 S/S
 * NATIONWIDE INDUSTRIES
 * DOWNEE
 * D&D TECHNOLOGIES



GLASS GATE HOLES

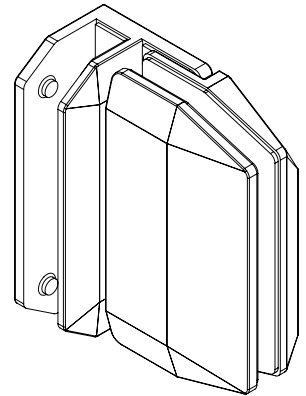
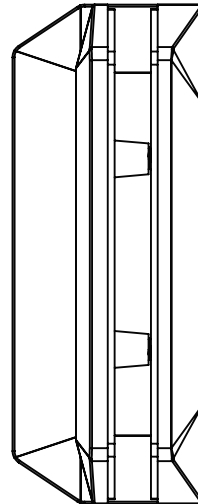
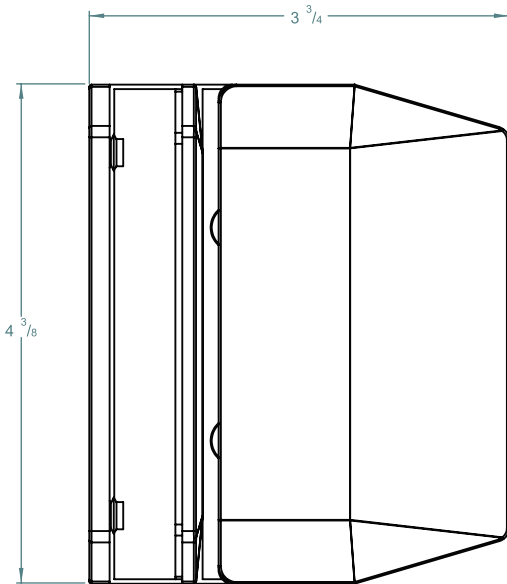
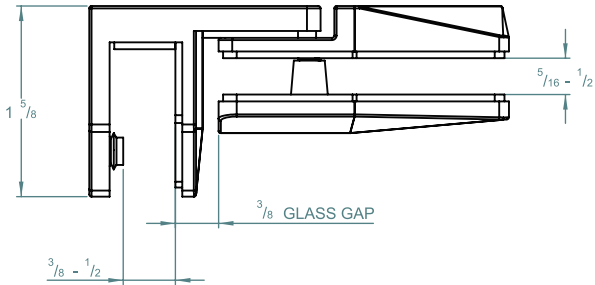


TOP VIEW

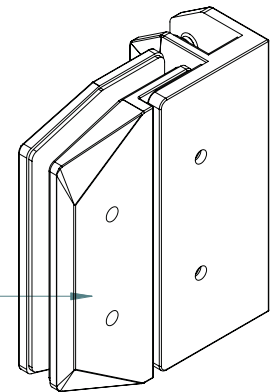
RETROFIT LATCH GLASS TO GLASS 90° REVERSE

TO ORDER SPECIFY:

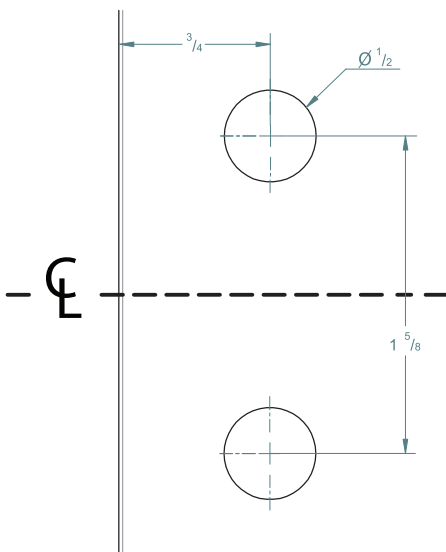
POLYMER SIDE PULL INC.
700G90RP POLISHED FINISH
700G90RS SATIN FINISH
700G90RB BLACK FINISH



FRONT ISOMETRIC VIEW

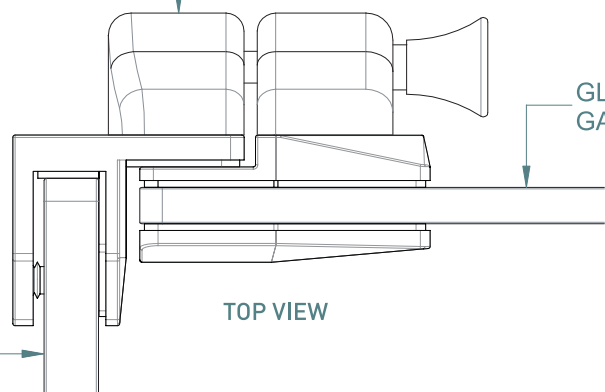


REAR ISOMETRIC VIEW



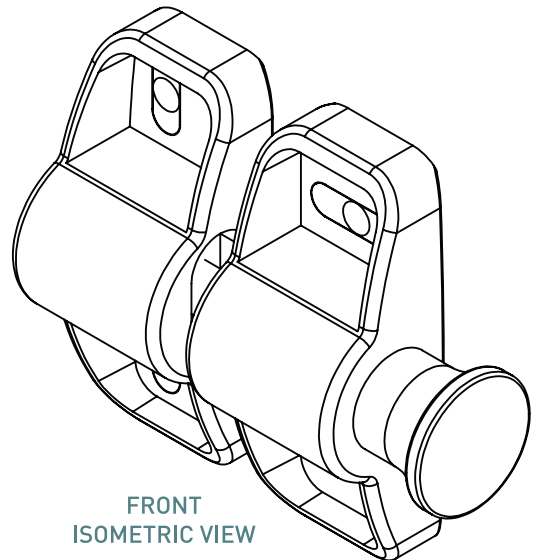
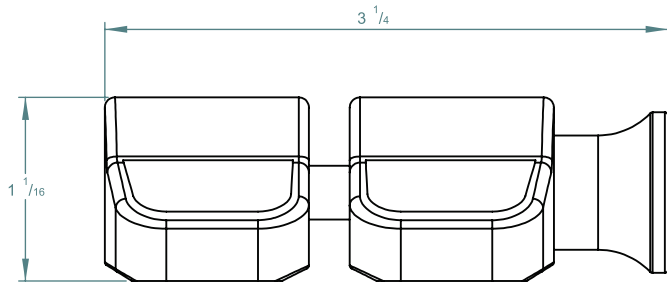
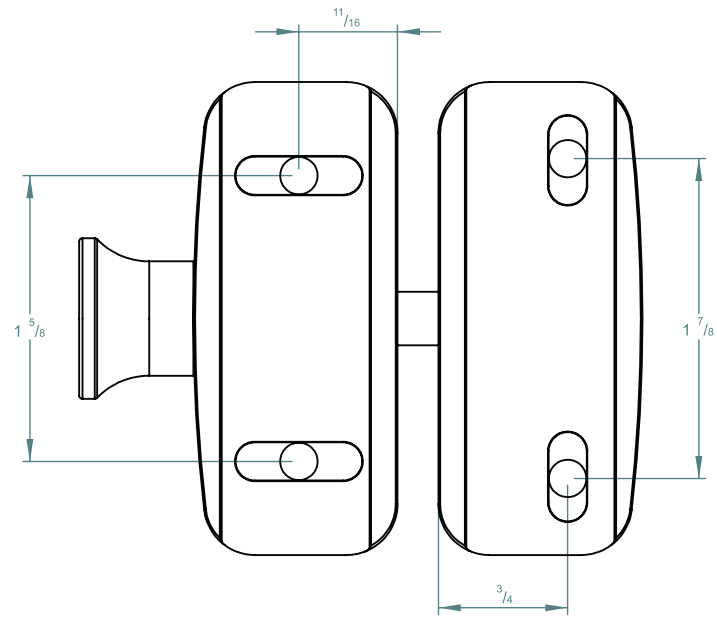
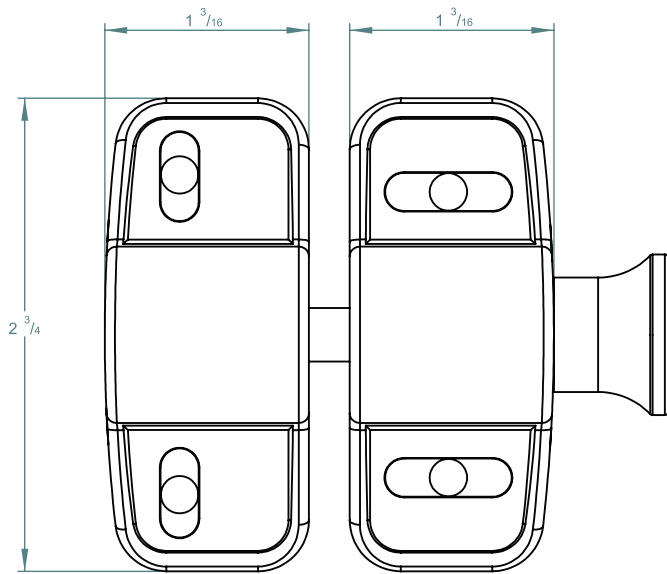
GLASS GATE HOLES

FITS SIDE PULLS:
 * POLARIS 2205 S/S
 * NATIONWIDE INDUSTRIES
 * DOWNEE
 * D&D TECHNOLOGIES



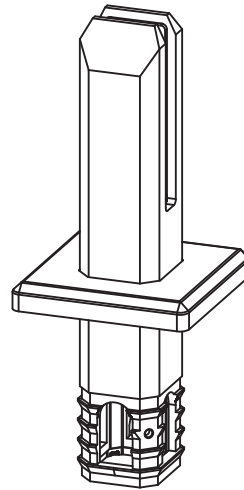
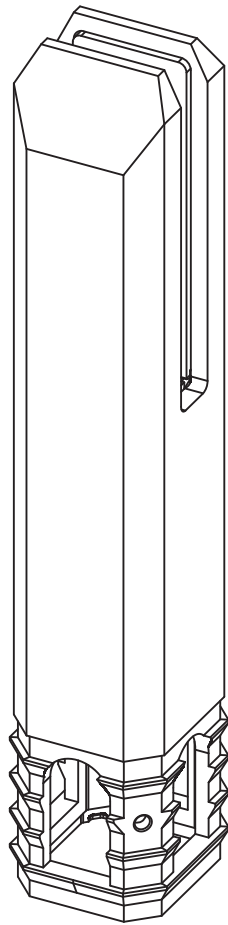
TOP VIEW

POLYMER SIDE PULL LATCH



FRONT ISOMETRIC VIEW

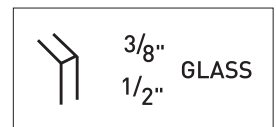
SPIGOT - CORE DRILL GLASS PANELS



COVER PLATE
INCLUDED

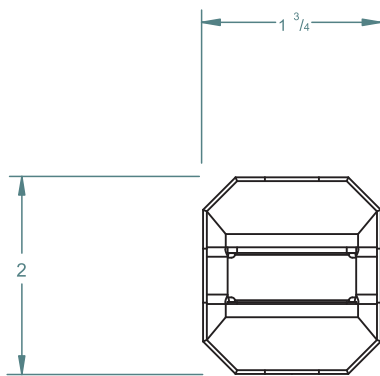
FINISHES AND SPEC.

- 2205 GRADE STAINLESS STEEL
- POLISHED FINISH
- SATIN FINISH
- BLACK FINISH



ADVANTAGES

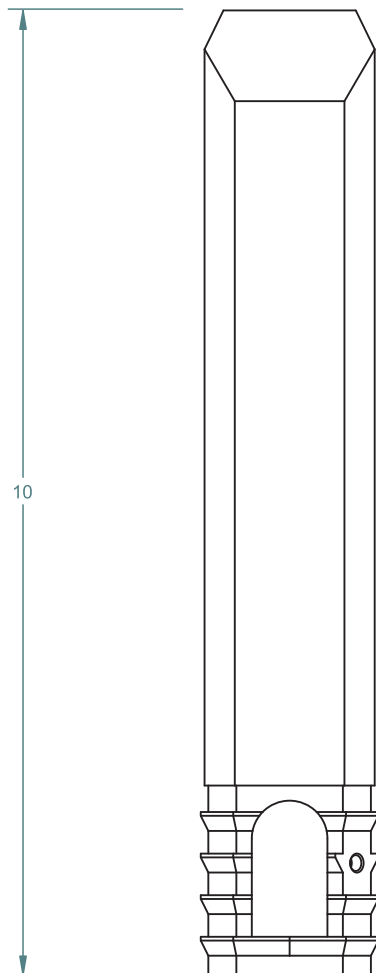
- CONTEMPORARY DESIGN WITH MINIMAL VISIBLE FIXINGS AT REAR
- 1.75" FRONT FACE PROFILE
- TAPERED TOP TO COMPLY WITH 'NO TOE HOLD' REQUIREMENTS
- INTERNAL RECESSED FRICTION PLATE PROVIDES A NEAT FINISH AND EASY INSTALLATION
- BOTTOM OF SPIGOT HAS LARGE RIBS FOR MAXIMUM HOLD AS WELL AS AN EARTHING POINT IF REQUIRED
- ALSO PROVIDED IS AN EARTHING SCREW POINT AT THE BOTTOM IF REQUIRED



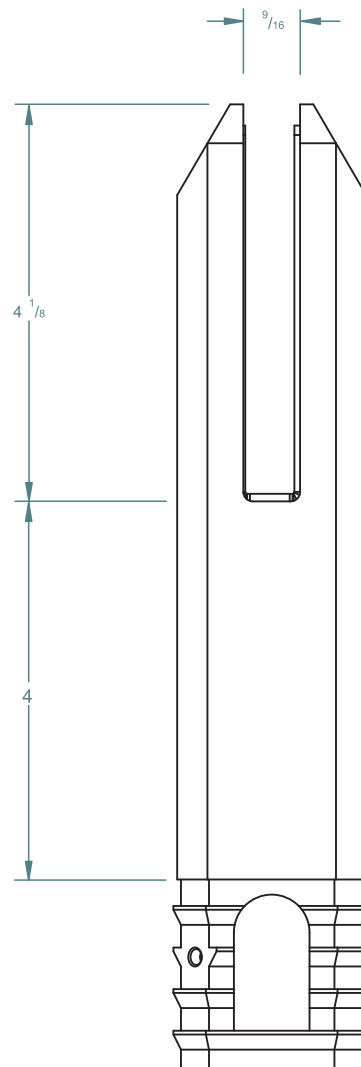
TOP VIEW

TO ORDER SPECIFY:

- SP3P POLISHED FINISH
- SP3S SATIN FINISH
- SP3B BLACK FINISH



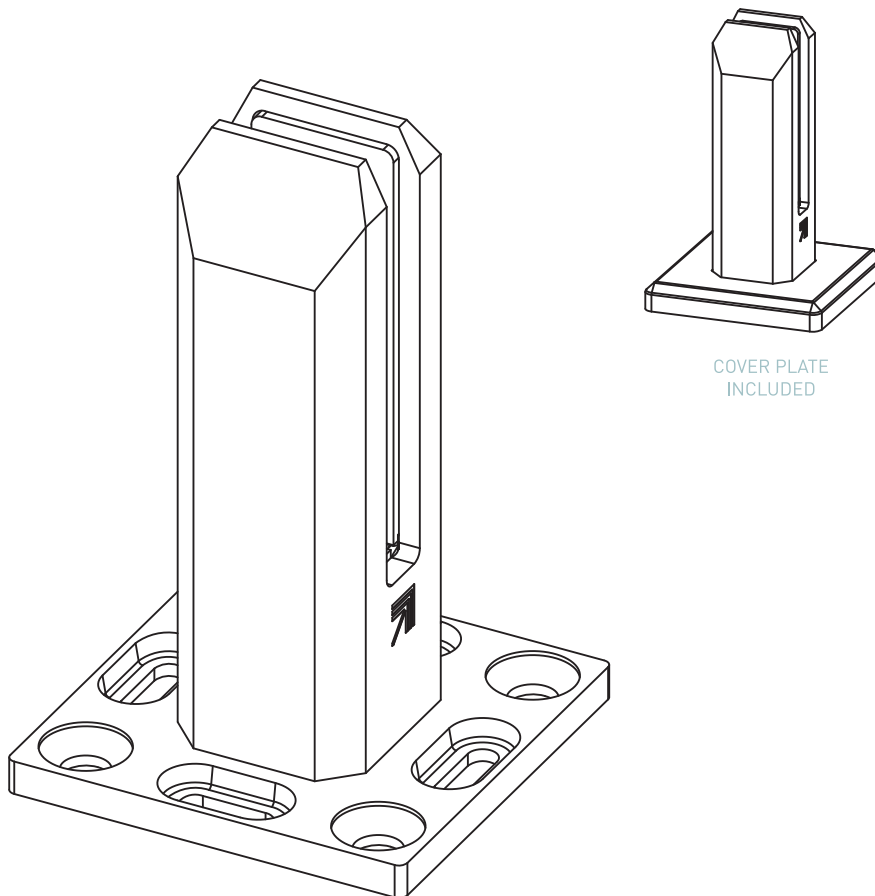
FRONT VIEW



SIDE VIEW

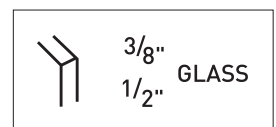
SPIGOT - BASE PLATE

GLASS PANELS



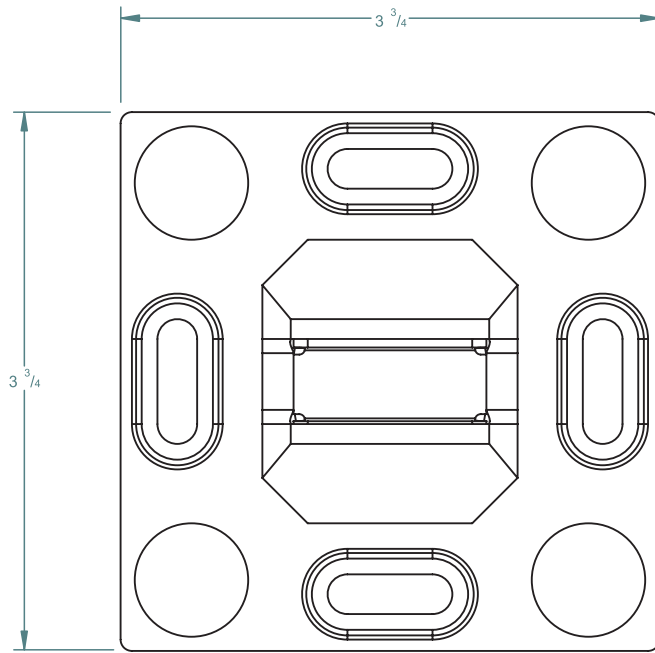
FINISHES AND FUNCTIONS

- 2205 GRADE STAINLESS STEEL
- POLISHED FINISH
- SATIN FINISH
- BLACK FINISH



ADVANTAGES

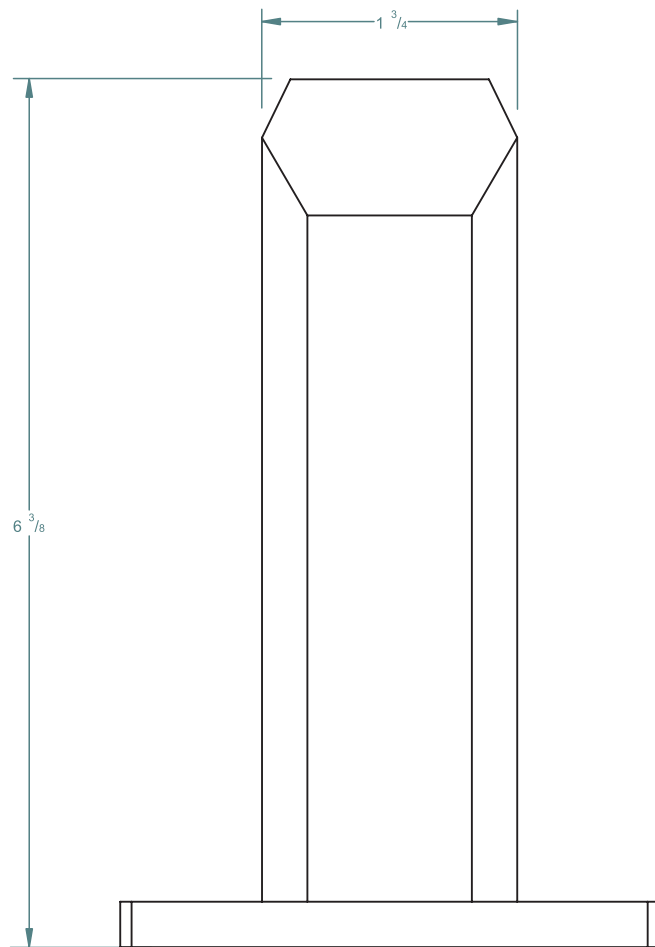
- CONTEMPORARY DESIGN WITH MINIMAL VISIBLE FIXINGS AT REAR
- 1.75" FRONT FACE PROFILE
- TAPERED TOP TO COMPLY WITH 'NO TOE HOLD' REQUIREMENTS
- CENTRAL SCREW HOLE FOR TEMPORARY ALIGNMENT AT INSTALLATION
- BASE PLATE FEATURES 4x CSK ANCHOR HOLES, AS WELL AS 4x OPTIONAL SLOTS FOR INSTALL ALIGNMENT
- RECESSED FRICTION PLATE PROVIDES A NEAT FINISH AND EASY INSTALLATION



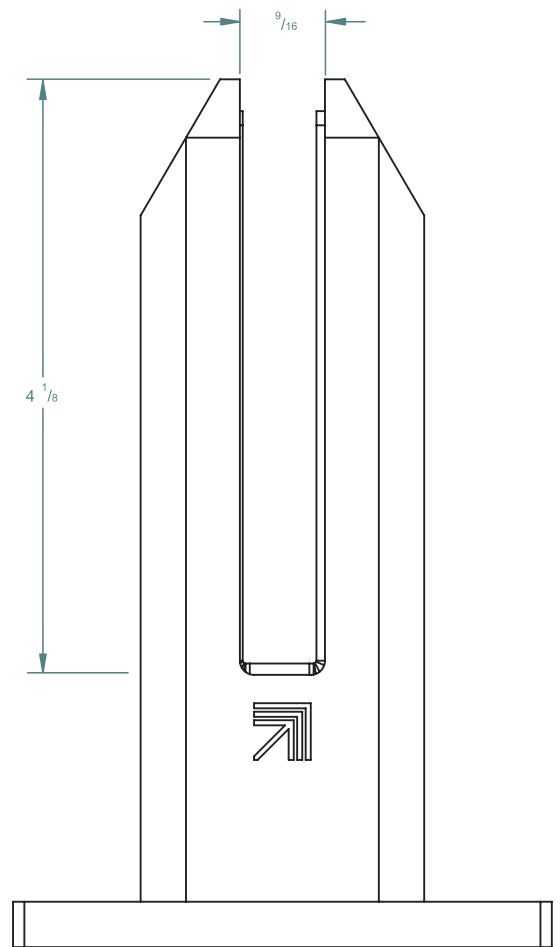
TOP VIEW

TO ORDER SPECIFY:

- SP4P POLISHED FINISH
- SP4S SATIN FINISH
- SP4B BLACK FINISH



FRONT VIEW

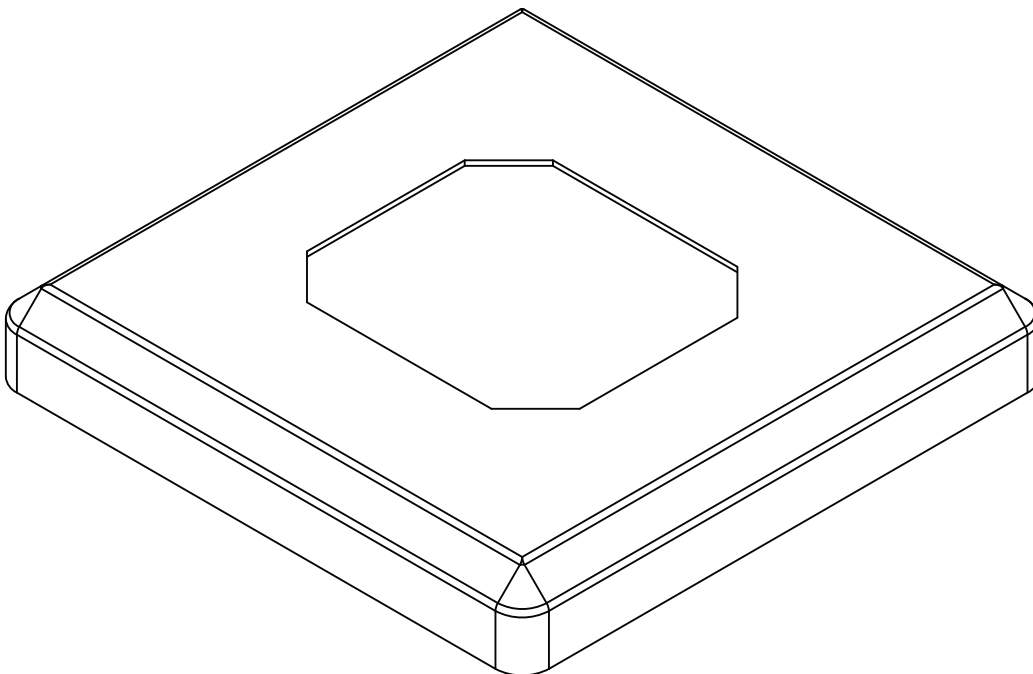


SIDE VIEW

SPIGOT - COVER PLATE GLASS PANELS

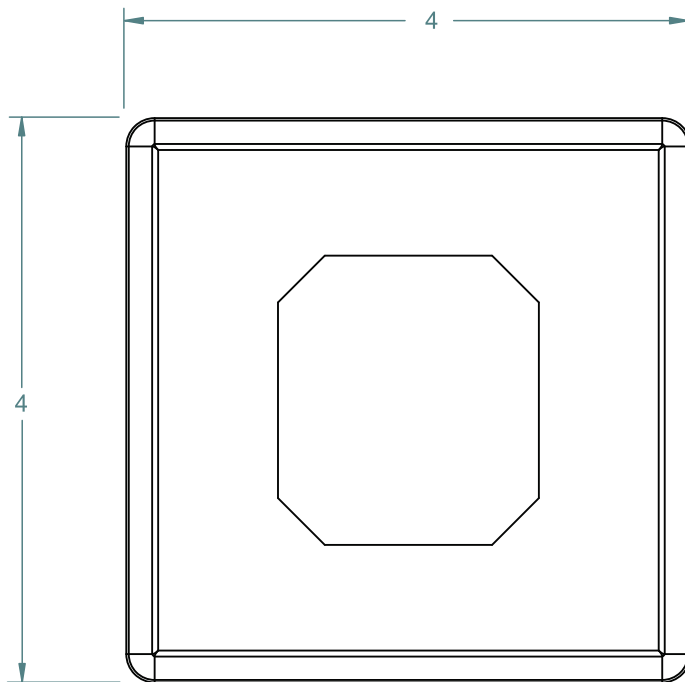
FINISHES AND FUNCTIONS

- FITS BOTH OF THE SPIGOT MODELS
- 304 GRADE STAINLESS STEEL
- POLISHED FINISH
- SATIN FINISH
- BLACK FINISH

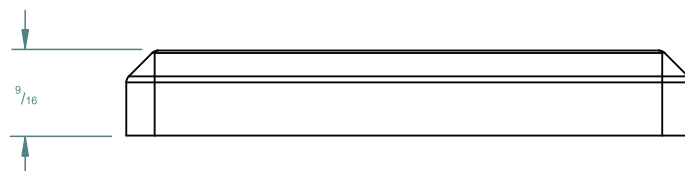


TO ORDER SPECIFY:

- CP3P POLISHED FINISH
- CP3S SATIN FINISH
- CP3B BLACK FINISH



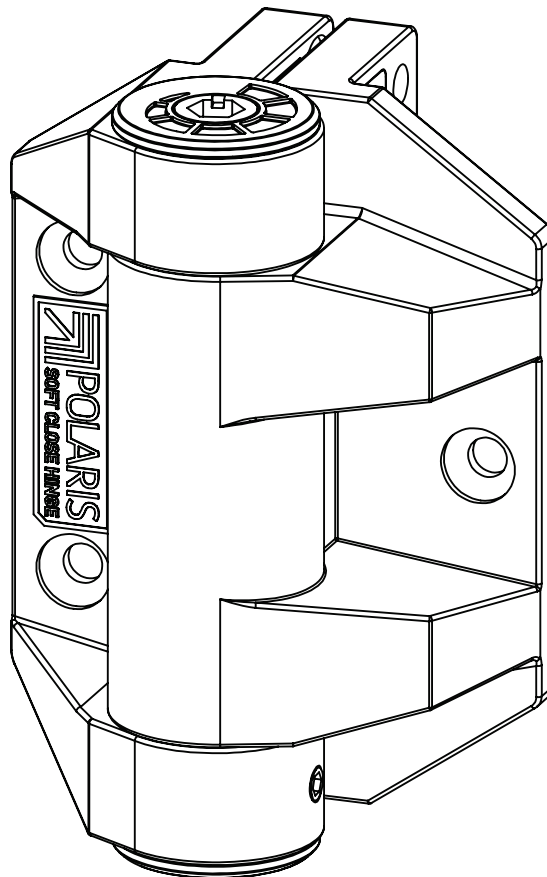
TOP VIEW



FRONT VIEW

POLY HINGE

SOFT CLOSE SPRING HINGE



FINISHES AND FUNCTIONS

- HEAVY DUTY
GLASS FILLED NYLON
- MATT BLACK
- SIMPLE *QUIK-ADJUST*
RATCHET SYSTEM
- SOFT CLOSE
- NON-HOLD OPEN
- ADJUSTABLE SPRING
FORCE



MAX 50 lbs



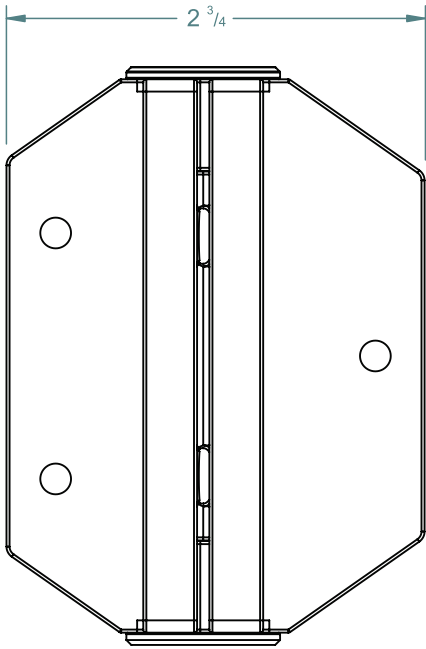
− 50°F
+ 122°F



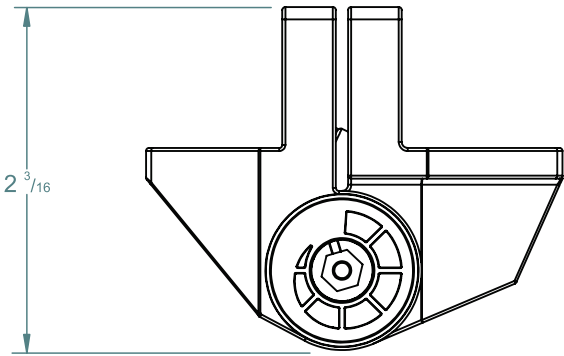
170°

POLY HINGE ADVANTAGES

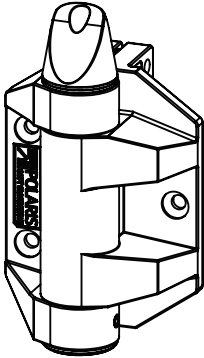
- SELF-CLOSING SAFETY HINGE FOR LIGHT WEIGHT POOL FENCING
- TO BE USED WITH CHILD PROOF SAFETY LATCH
- COMPLIES WITH AUSTRALIAN STANDARDS FOR POOL GATE HARDWARE
- NATA ACCREDITED AND INDEPENDENTLY TESTED TO 25 000 CYCLES
(NATA = NATIONAL ASSOCIATION OF TESTING AUTHORITIES AUSTRALIA)



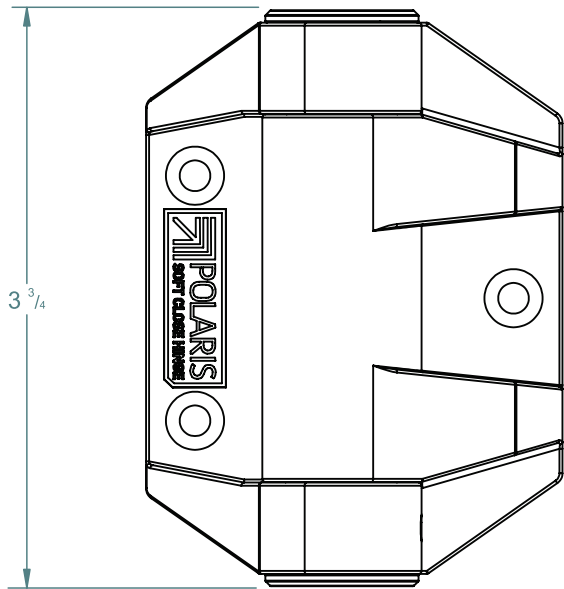
REAR VIEW



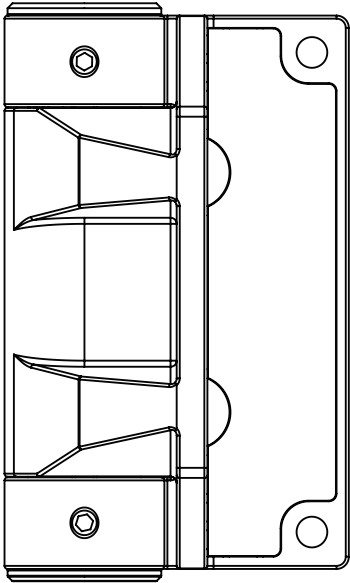
TOP VIEW



INSTALLED SAFETY CAP



FRONT VIEW

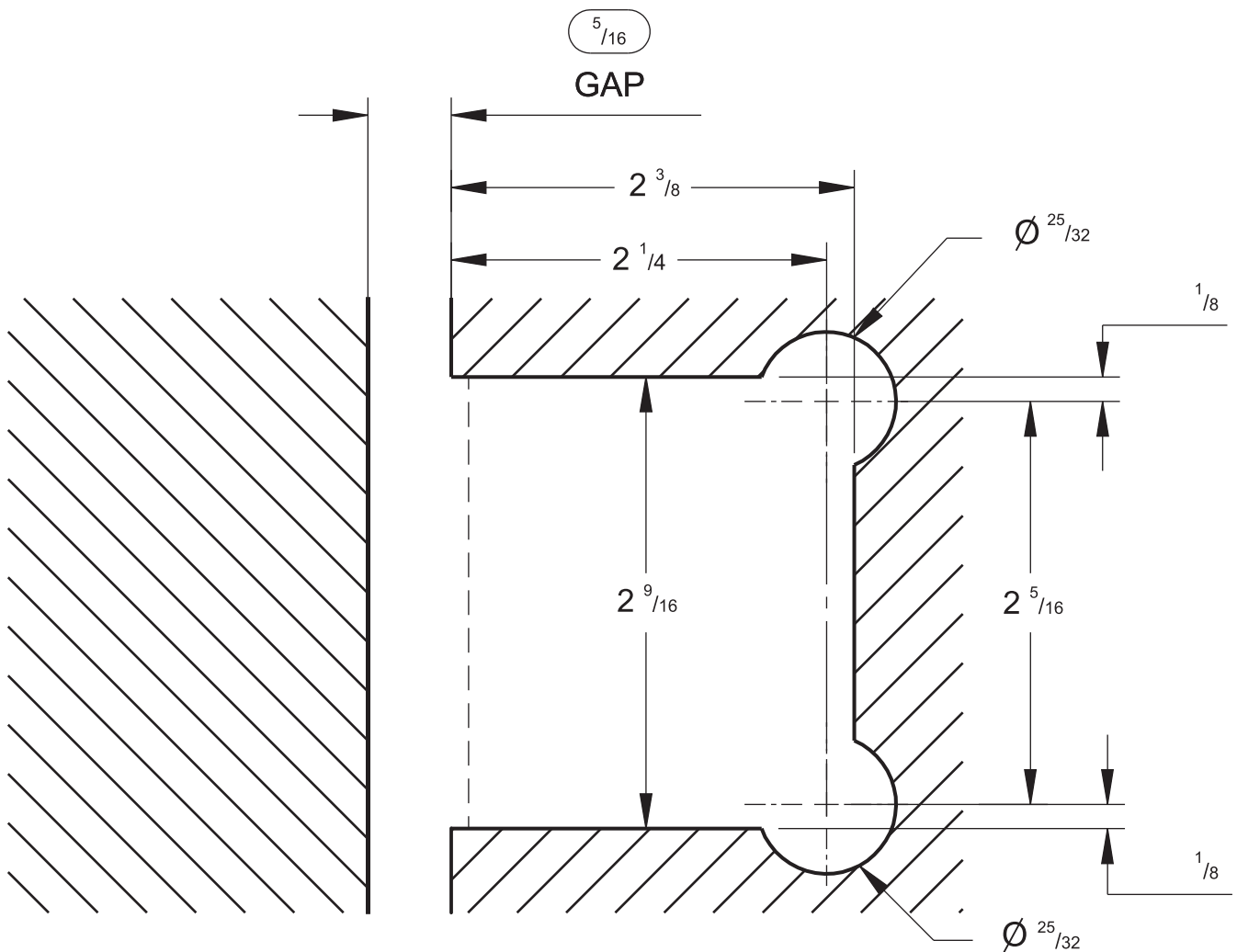


SIDE VIEW

GLASS PREPARATION

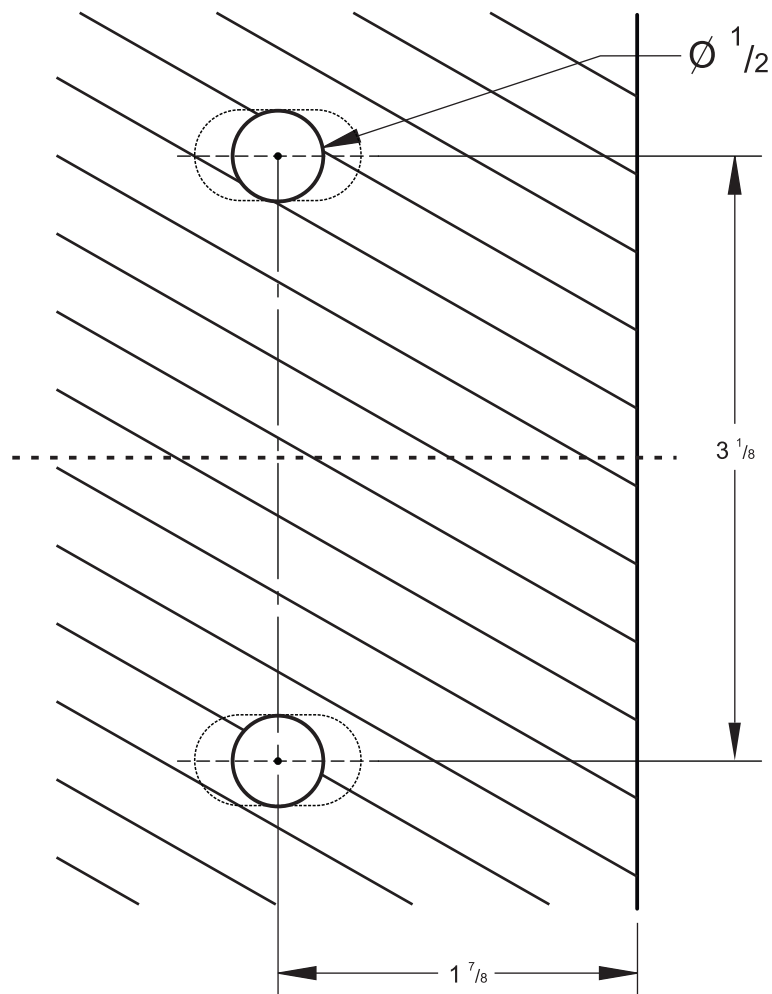
125 HINGE

GLASS TO WALL/POSTS



GLASS CUT-OUT TOP AND BOTTOM

GLASS PREPARATION 600 SERIES LATCH HOLES GLASS GATES/DOORS

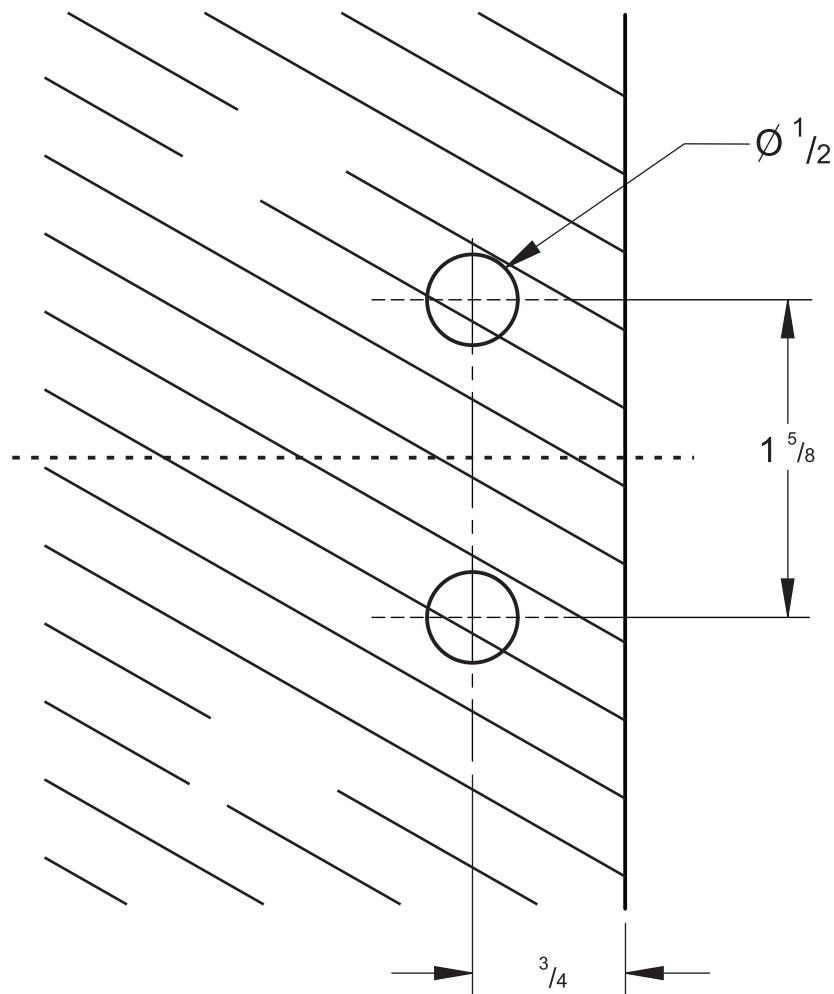


GLASS HOLES AT TOP

GLASS PREPARATION

700 SERIES LATCH HOLES

GLASS GATES/DOORS



GLASS HOLES AT TOP

GLASS HARDWARE AUSTRALIA

6/4 STOCKYARD PLACE
WEST GOSFORD NSW 2250
AUSTRALIA

MORE PRODUCTS TO BE AVAILABLE SOON
PLEASE, CHECK OUR WEBSITE FOR MORE INFORMATION
www.polarishinge.com.au
